

RENSSELAER SEPTIC TANKS

1211 NORTH WESTON STREET
 P.O. BOX 70
 RENSSELAER, INDIANA 47978
 phone: (219) 866-5063
 (800) 240-5123
 fax: (219) 866-3894

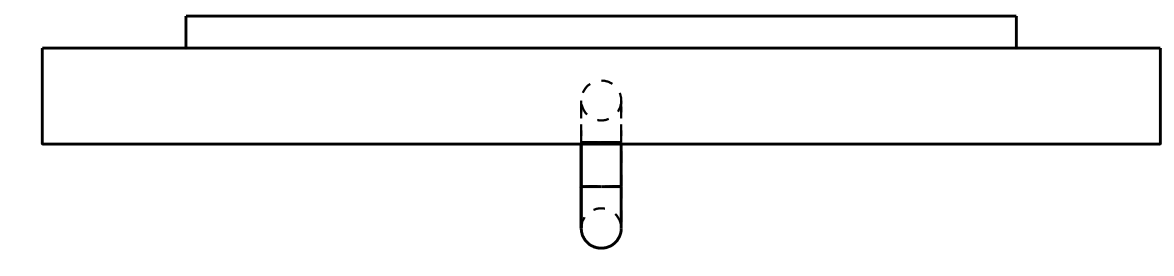
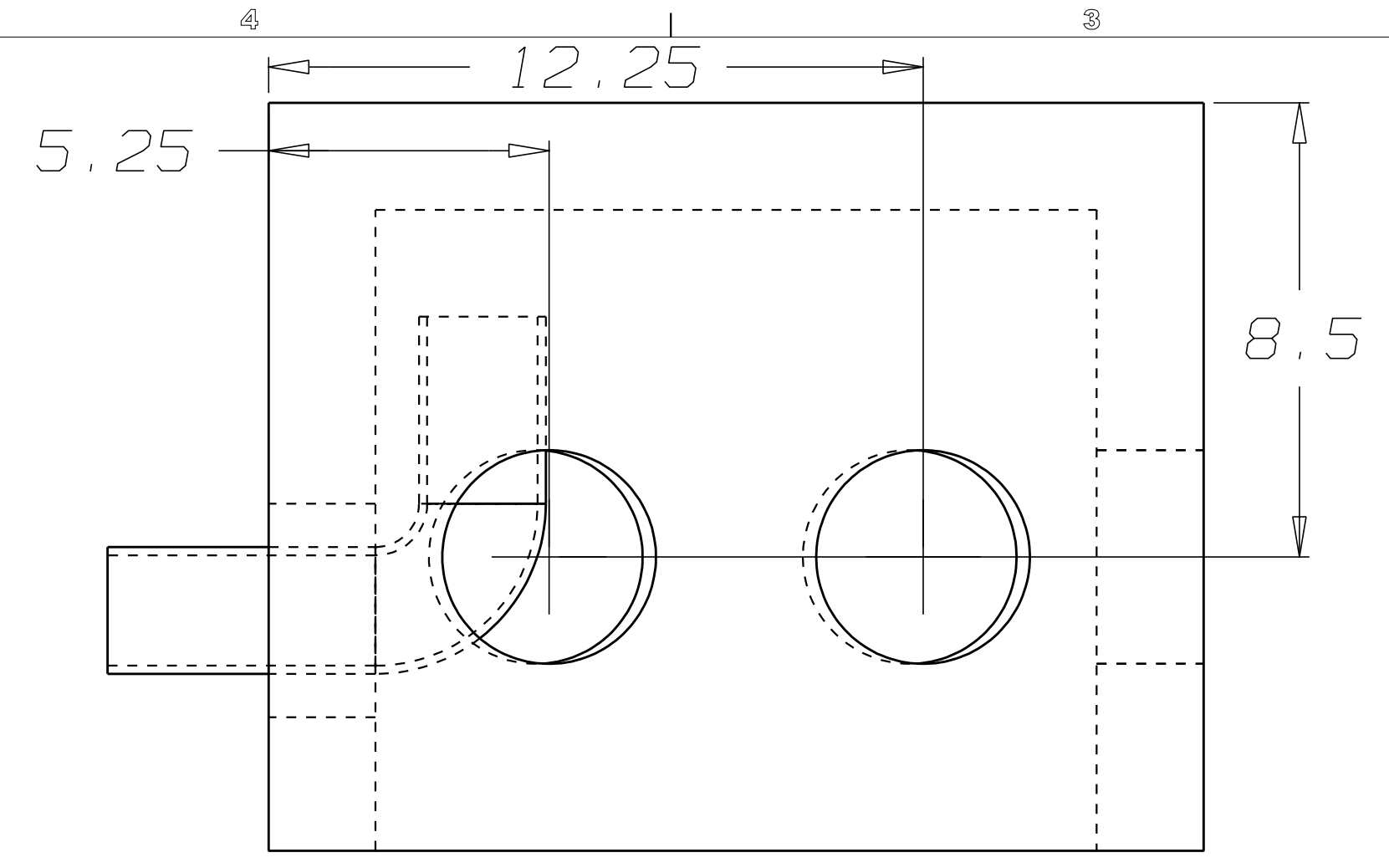
PROJECT NAME
 CLIENT NAME
 ADDRESS

PROJECT NO: ---
 FILE: 7 HOLE DISTRIBUTION BOX.DWG
 DRAWN BY: -LG-
 CHECKED BY: -EJ-
 TITLE:
 MANUFACTURER'S
 DETAIL DRAWING
 7-HOLE-DISTRIBUTION-BOX

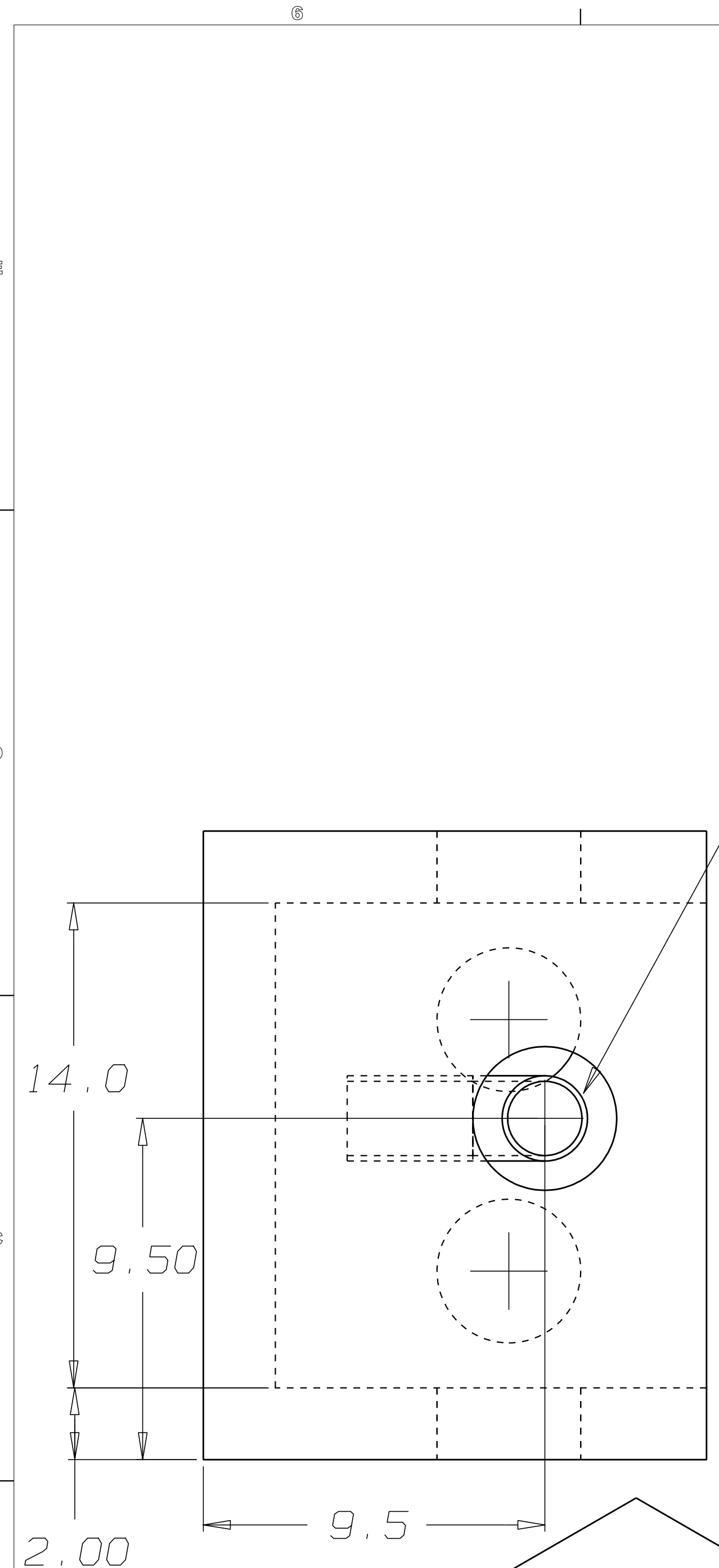
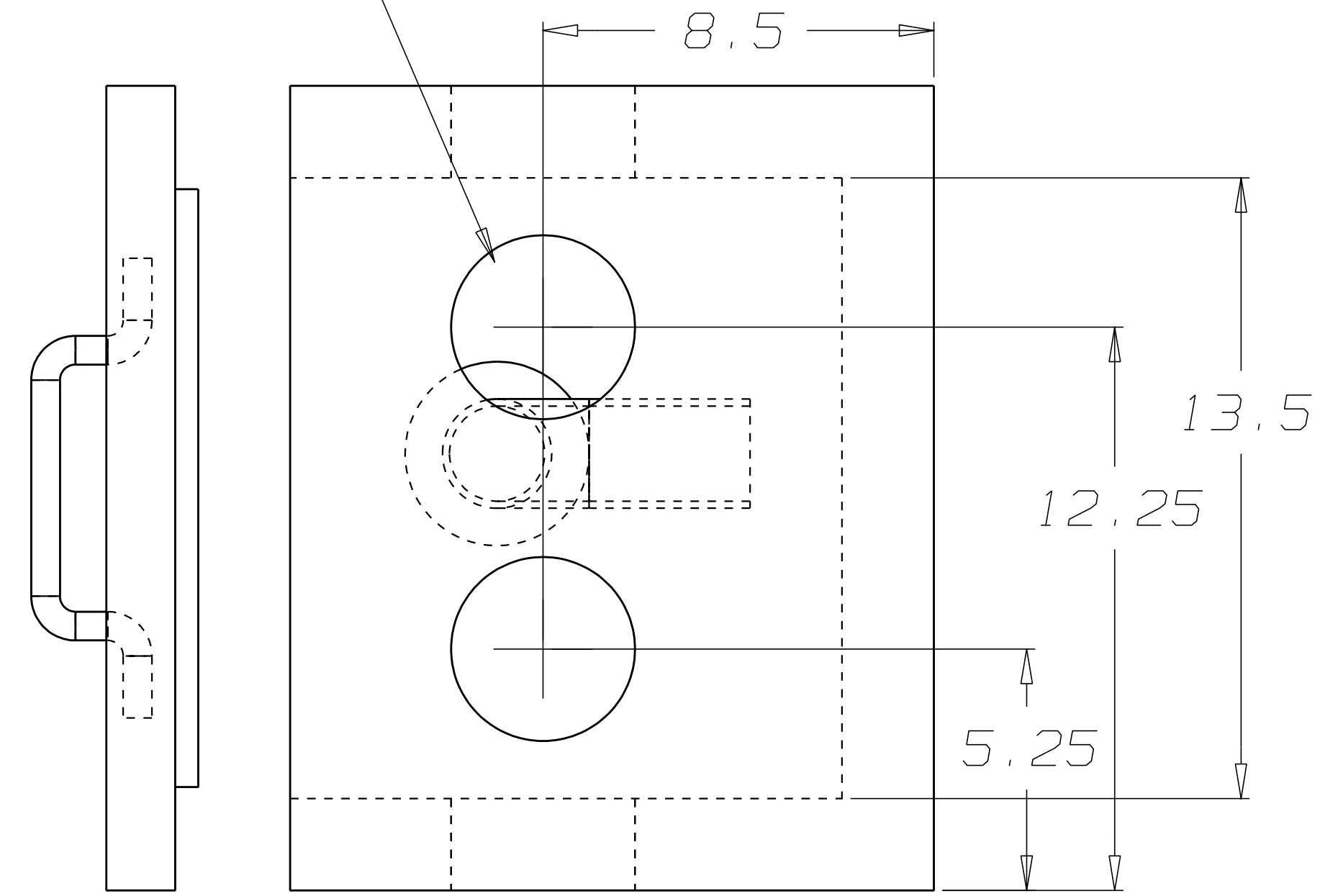
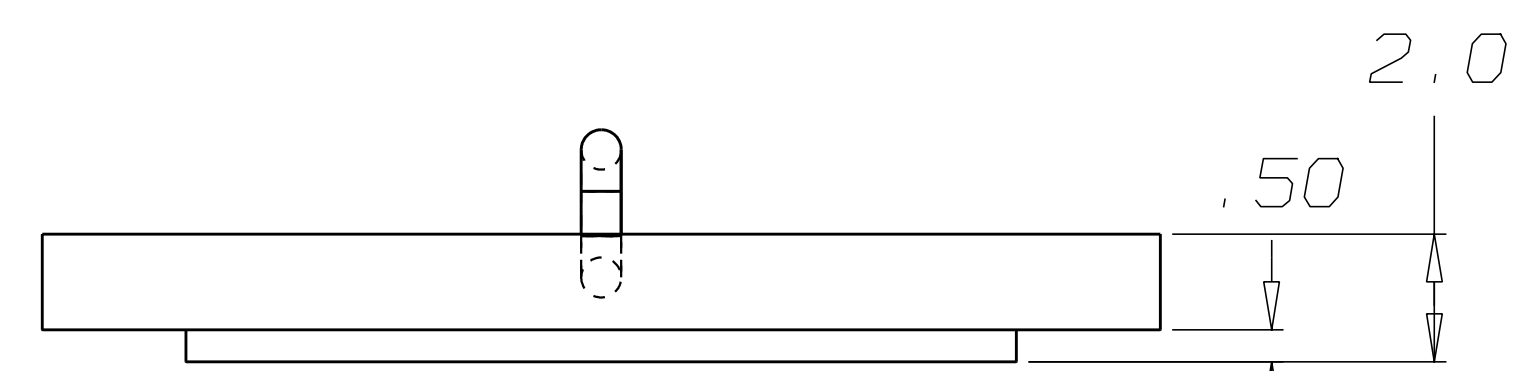
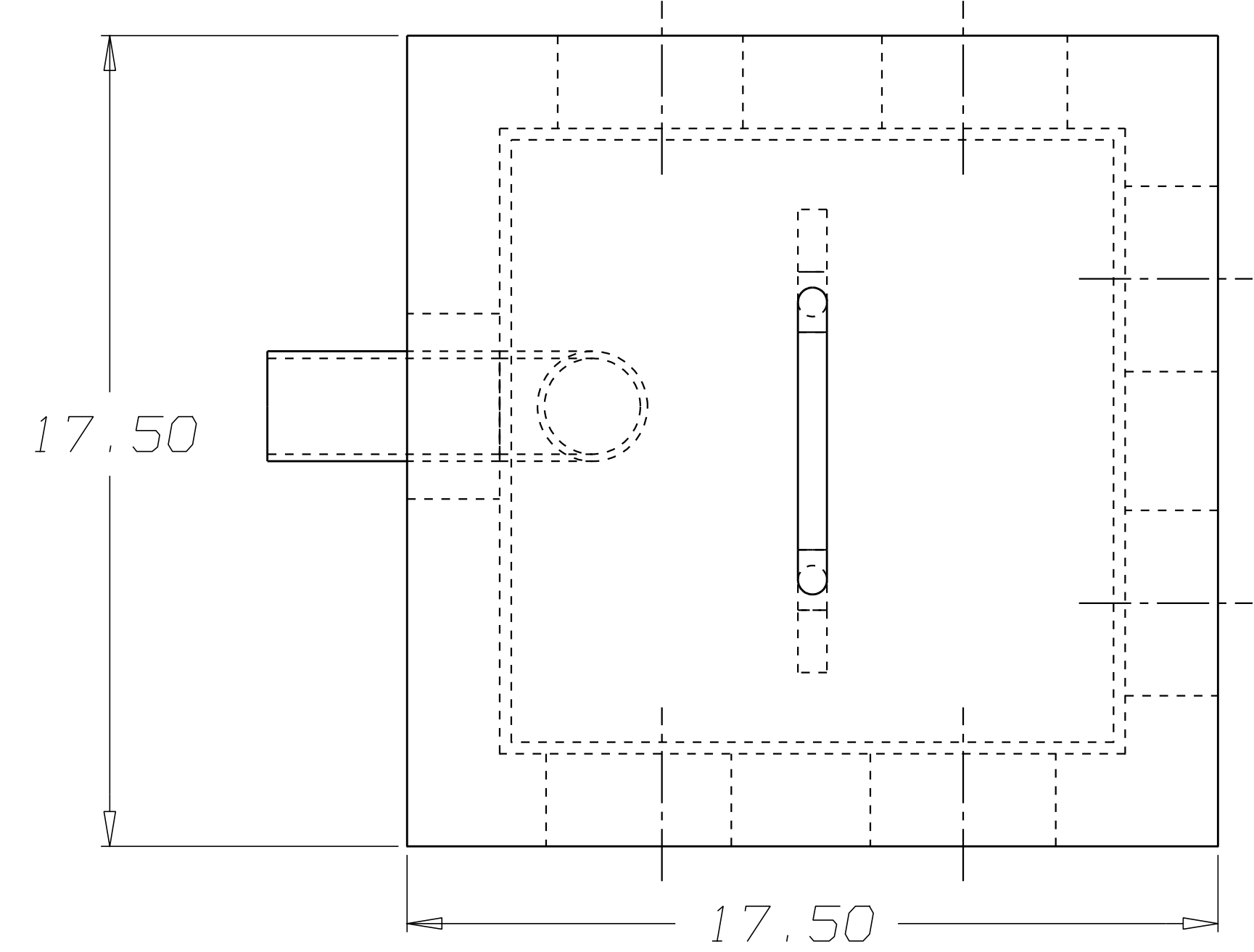
R-000

DESIGN DATA:

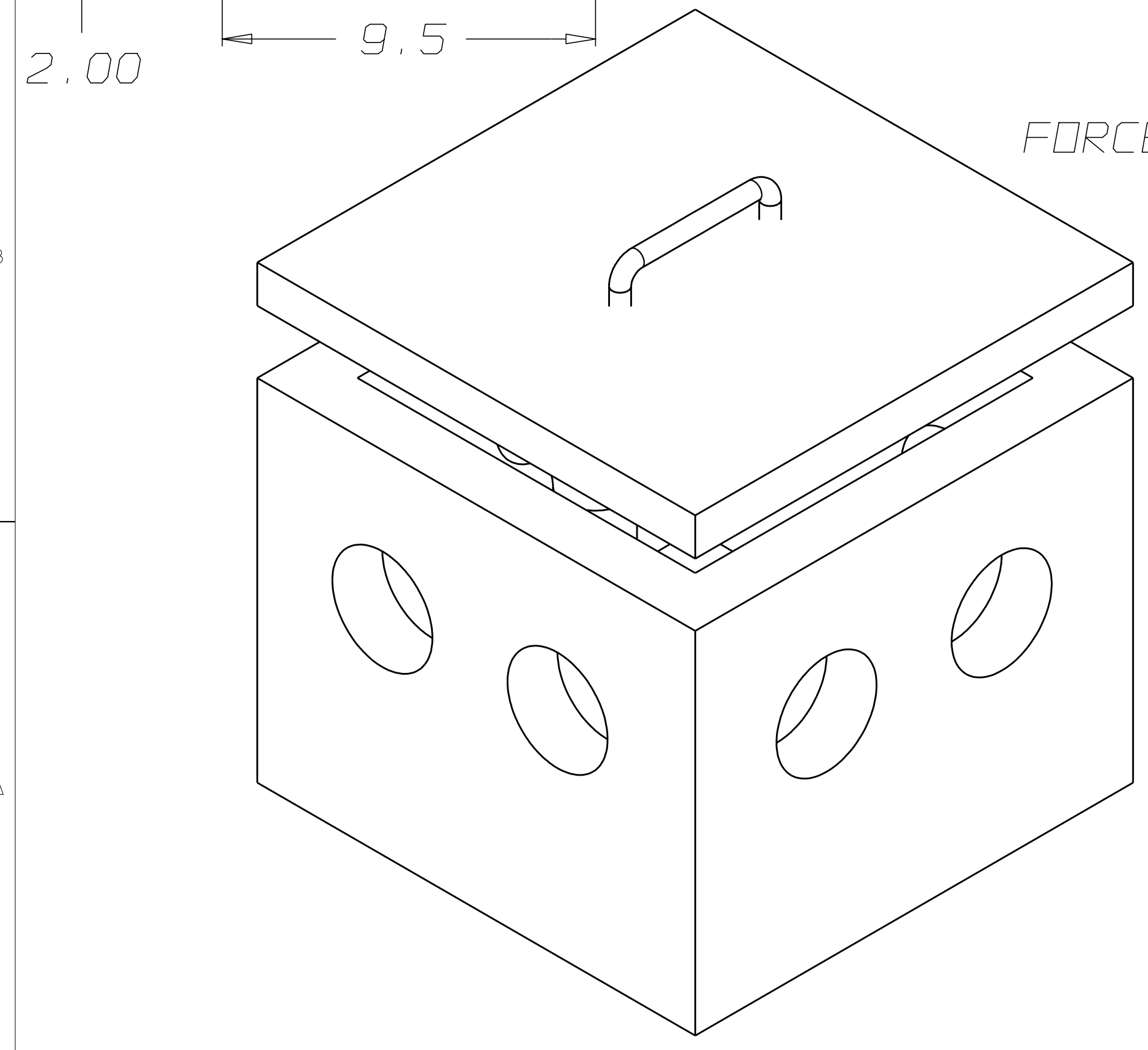
- 1) EARTH COVER = 3 FEET MAX
- 2) ALLOWABLE WHEEL LOAD = 2500 LBS MAX
- 3) CONCRETE MINIMUM COMPRESSIVE STRENGTH = 5,090 PSI @ 28 DAYS
- 4) PIPE SEALS ARE 4" POLYLOK



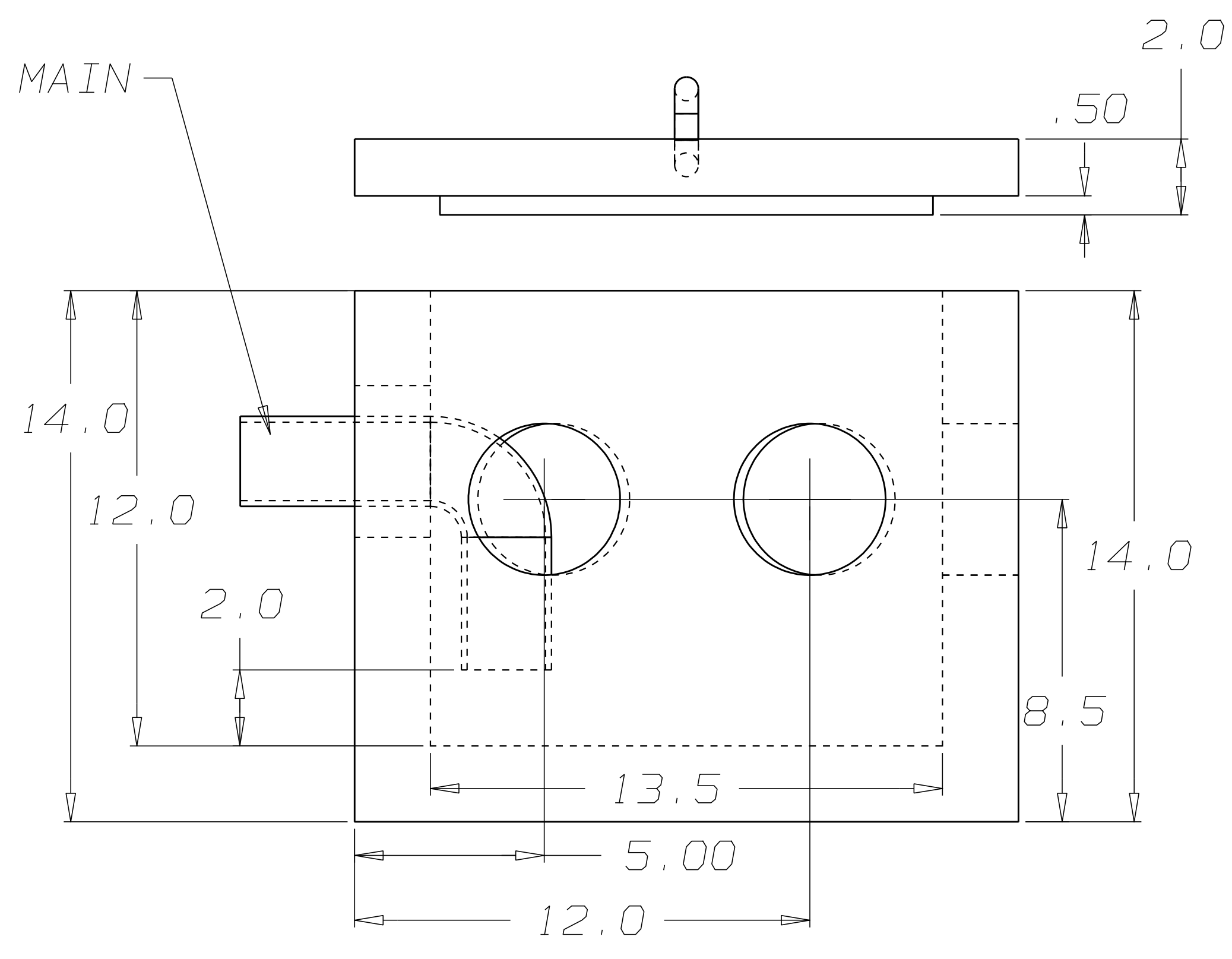
4" OUTLET
 POLYLOK PIPE SEALS
 TYPICAL 6 PLC'S



4" INLET
 POLYLOK PIPE SEALS
 TYPICAL



FORCED MAIN



1/3 SCALE

* ALL RENSSELAER SEPTIC TANKS ARE MONOLITHICALLY POURED

This drawing is the property of Rensselaer Septic Tanks. It is submitted for reference purposes only. © 2005 Rensselaer Septic Tanks