

6

5

4

3

2

1

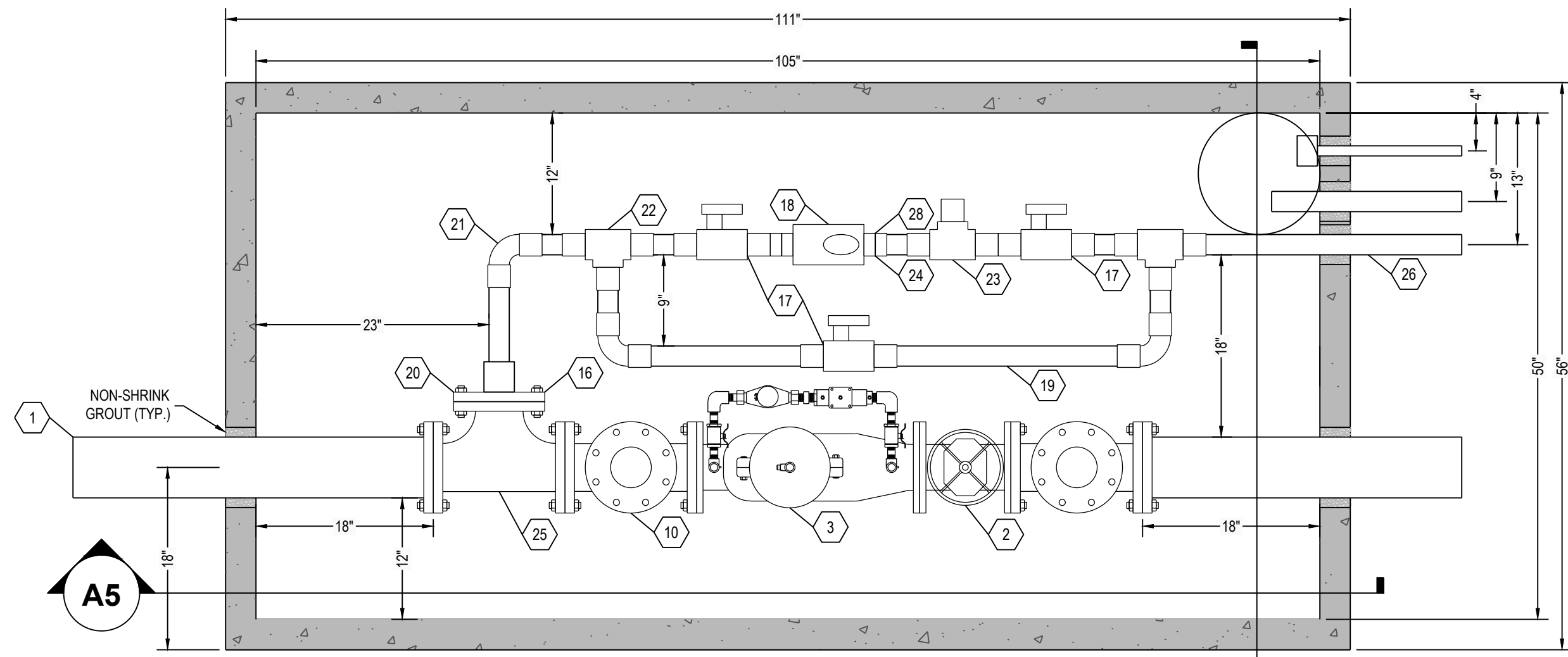
E

D

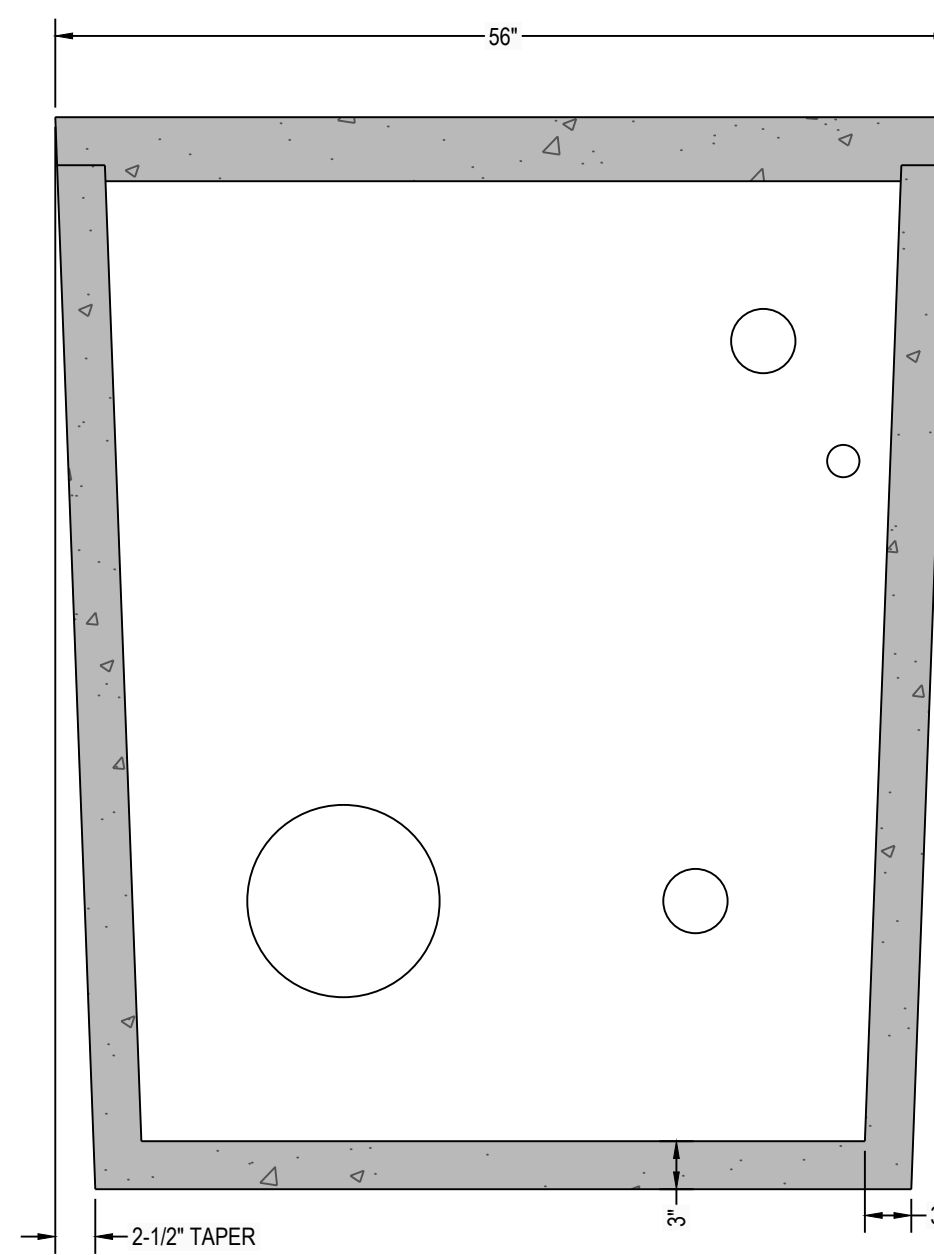
C

B

A



C6 WATER METER VAULT TOP VIEW
1" = 1"



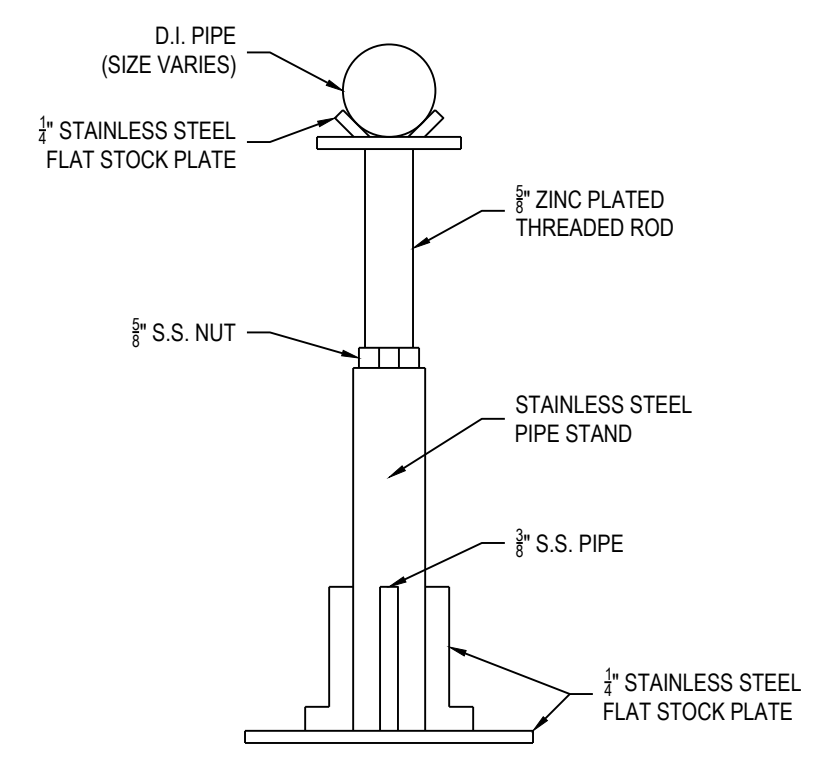
C4 WATER METER VAULT SECTION VIEW
1" = 1"

DESIGN DATA:

- EARTH COVER = 3 FEET MAX.
- ALLOWABLE WHEEL LOAD = 2500 LB MAX.
- CONCRETE MINIMUM COMPRESSIVE STRENGTH = 5,090 PSI @ 28 DAYS.
- VAULT LID IS REINFORCED WITH 6 X 6 W8.0 X W8.0 WELDED WIRE FABRIC.
- VAULT BOTTOM AND SIDES ARE REINFORCED WITH 6 X 6 W10.0 X W10.0 WELDED WIRE FABRIC.

CASTING WEIGHTS

WEIGHT OF LID: 2,074.5 LBS
 WEIGHT OF TANK: 6,488.9 LBS
 TOTAL CASTING WEIGHT: 8,543.4 LBS



D1 PIPE SUPPORT DETAIL
NTS

H2O LOAD BEARING VAULTS ARE ALSO AVAILABLE INCLUDING LARGER HATCHES, GRADE RINGS, AND OTHER CUSTOM MODIFICATIONS THAT CAN BE MADE TO MEET JOB REQUIREMENTS, FOR ADDITIONAL CHARGES.

VAULTS CAN BE ORDERED: ASSEMBLED, UNASSEMBLED, OR WITH NO CONTENTS.

RENSELAER SEPTIC TANKS

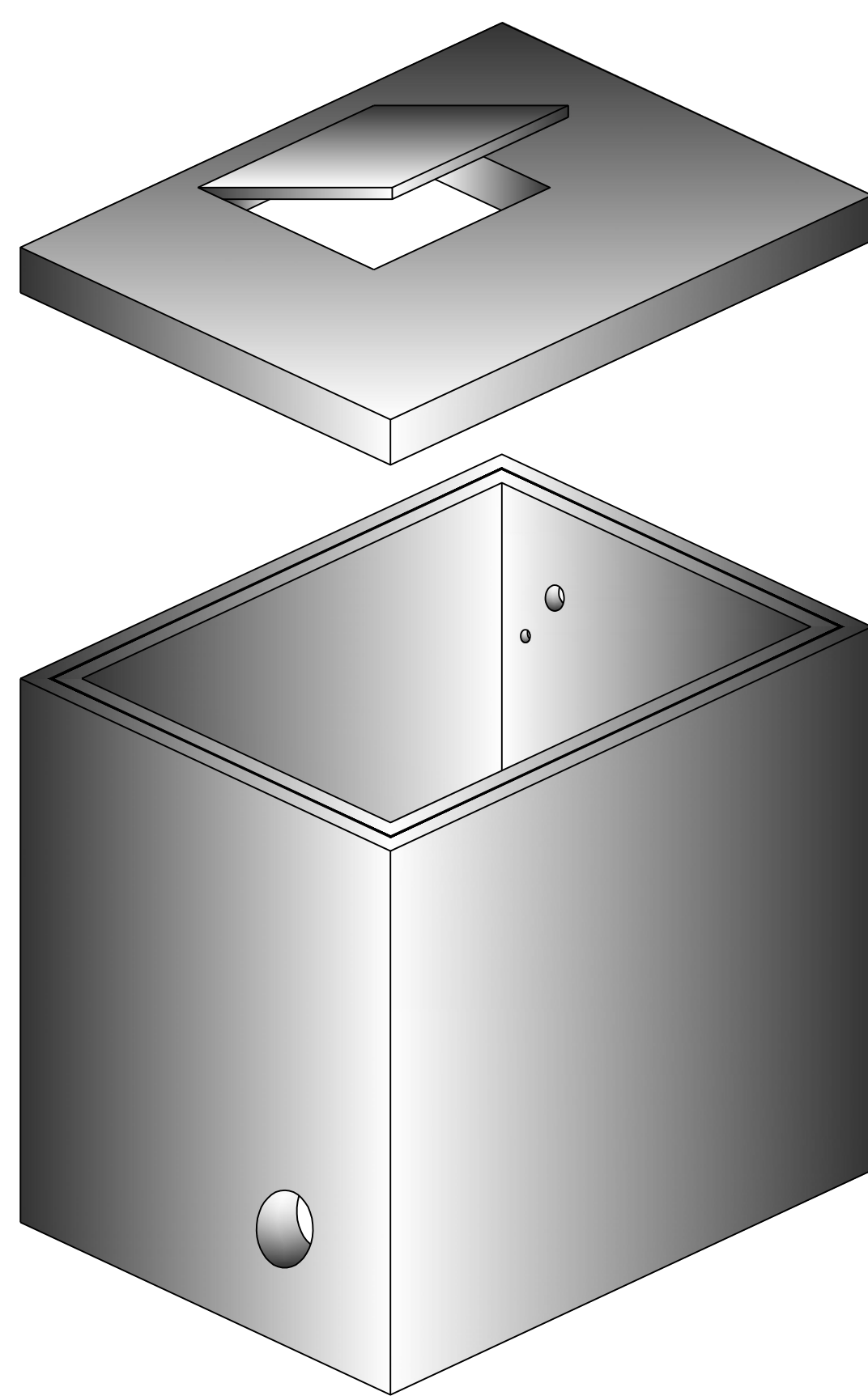
1211 NORTH WESTON STREET
 P.O. BOX 70
 RENSELAER, INDIANA 47978
 phone: (219) 866-5063
 (800) 240-5123
 fax: (219) 866-3894

**PROJECT NAME
 CLIENT NAME
 ADDRESS**

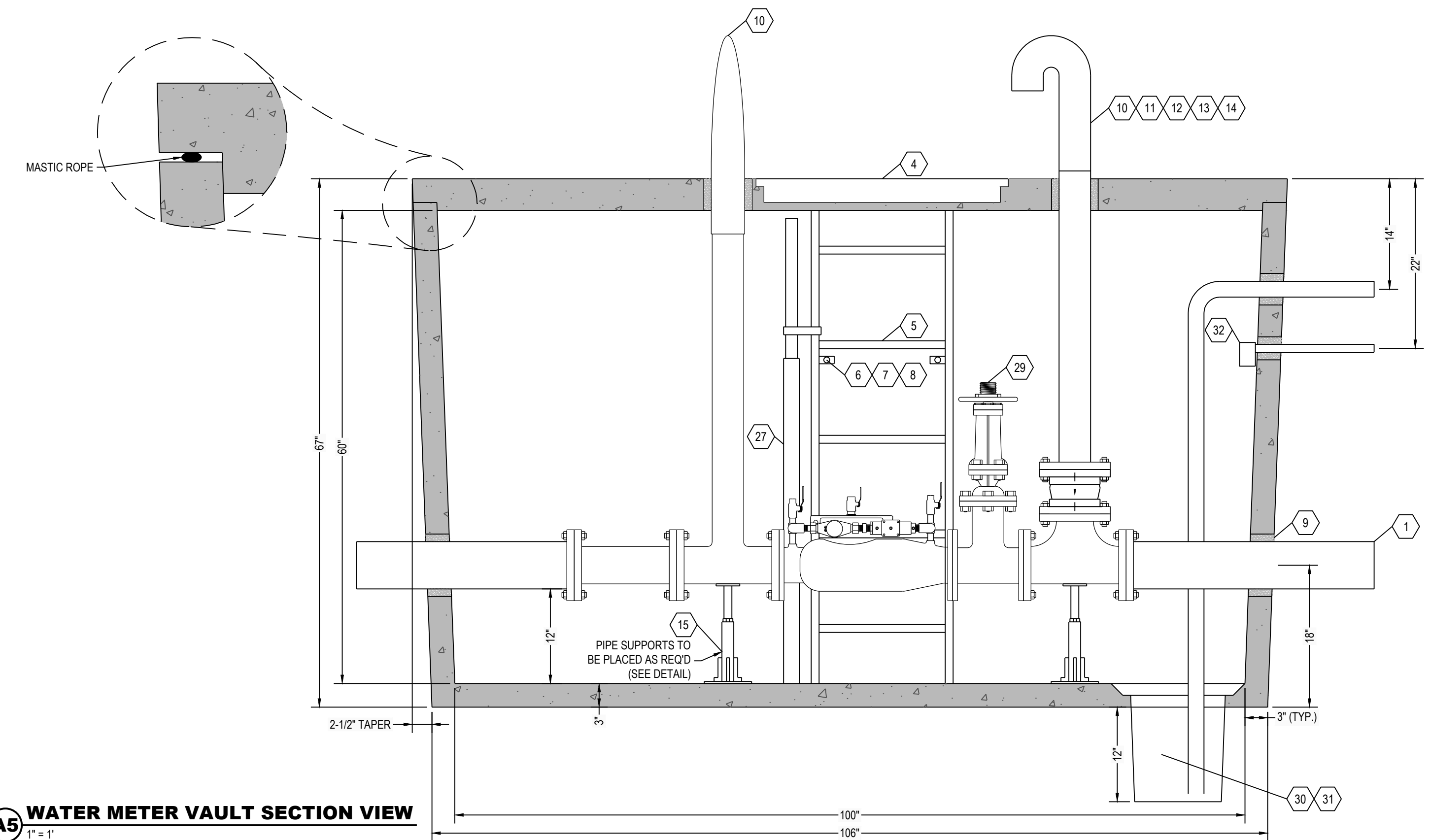
PROJECT NO: **08012**
 FILE: 1000 GAL NT WATER VAULT.DWG
 DRAWN BY: TVL
 CHECKED BY: PEW

TITLE:
**MANUFACTURER'S
 DETAIL DRAWING**
 1000 GALLON WATER METER VAULT
 NO TRAFFIC

R-000



A6 THREE DIMENSIONAL ISOMETRIC VIEW
NTS



A5 WATER METER VAULT SECTION VIEW
1" = 1"

ITEM	QTY	ITEM DESCRIPTION
1	2	6" X VARIES D.I. PIPE
2	2	6" DIA. OS&Y VALVE
3	1	6" DOUBLE CHK. ASSEMBLY, DETECTOR-AMES 3000SS
4	1	30" SQUARE ALUMINUM HATCH- SEE NOTES
5	1	5'-0" ALUMINUM LADDER-SEE NOTES
6	6	3/8" STAINLESS ANCHOR BOLT
7	7	3/8" STAINLESS WASHER
8	4	3/8" STAINLESS NUT
9	4	CORED HOLE, FILLED WITH GROUT
10	1	4" X 96" GALV SPOOL, MIP X FLG
11	1	4" GALV STREET 90
12	1	5" X 4" STORZ CONNECTION WITH CAP
13	1	4" WAFER CHECK VALVE
14	1	1/2" BRASS BALL DRIP
15	6	STAINLESS STEEL PIPE SUPPORT
16	4	2" BRASS COMP X MIPT COUPLER
17	4	2" BRASS CURB STOP FIP X FIP, LOCKING
18	1	2" DOMESTIC SERVICE METER (INSTALLED BY UTIL.)
19	VAR	2" HARD COPPER PIPING- TYPE K
20	1	4" X 2" REDUCING (BLIND) FLANGE
21	3	2" BRASS 90 DEG ELL
22	2	2" BRASS TEE, COMP X COMP X COMP
23	2	2" BRASS TEE, COMP X COMP X FIP W/ BRASS PLUG
24	2	BRONZE LOC PAK COUPLING (METER FLG X LOC PAK)
25	1	6" X 4" X 6" FLANGED D.I. TEE
26	1	2" COPPER STUBOUT
27	1	ALUMINUM USF TYPE LADDERUP SAFETY DEVICE
28	1	2" BRASS METER FLANGE, COMP X MTR FLNG
29	1	OS&Y TAMPER SWITCH
30	1	SUMP PIT W/ GRATE, HDPE BY POLYLOK
31	1	SUMP PUMP ASSEMBLY W/ 1/3 HP, 115 VOLT, 1 PH ZOELLER M151 AUTOMATIC PUMP, BALL CHECK VALVE, BALL VALVE, UNION TYPE DISCONNECT
32	1	ELECTRICAL JUNCTION BOX

NOTES
 HATCH TO BE 30" X 30" ALUMINUM HATCH, 300 PSF, SINGLE DOOR, INCLUDING ANGLE FRAME, STAINLESS STEEL NUTS & BOLTS, STAINLESS STEEL HINGES, STAINLESS STEEL AUTOMATIC HOLD-OPEN ARM WITH RED VINYL GRIP, FLUSH LIFT HANDLE, TAMPER PROOF FASTENERS, AND EXPOSED PADLOCK STAPLE.
 LADDER TO BE O.S.H.A. COMPLIANT ALUMINUM FLOORWALL MOUNT LADDER FABRICATED FROM 1 3/8" X 2 1/2" FLAT BARS AND 1 5/8" SQUARE EXTRUDED RUNGS, WITH SLIP RESISTANT RUNGS 12" ON CENTER, 18" WIDE WITH STANDARD MINIMUM 7" OFFSET MOUNTED WITH STAINLESS STEEL ANCHORS AND BOLTS.

*** ALL RENSELAER SEPTIC TANKS ARE MONOLITHICALLY POURED ***

This drawing is the property of Rensselaer Septic Tanks. It is submitted for reference purposes only. © 2008 Rensselaer Septic Tanks