

6

5

4

3

2

1

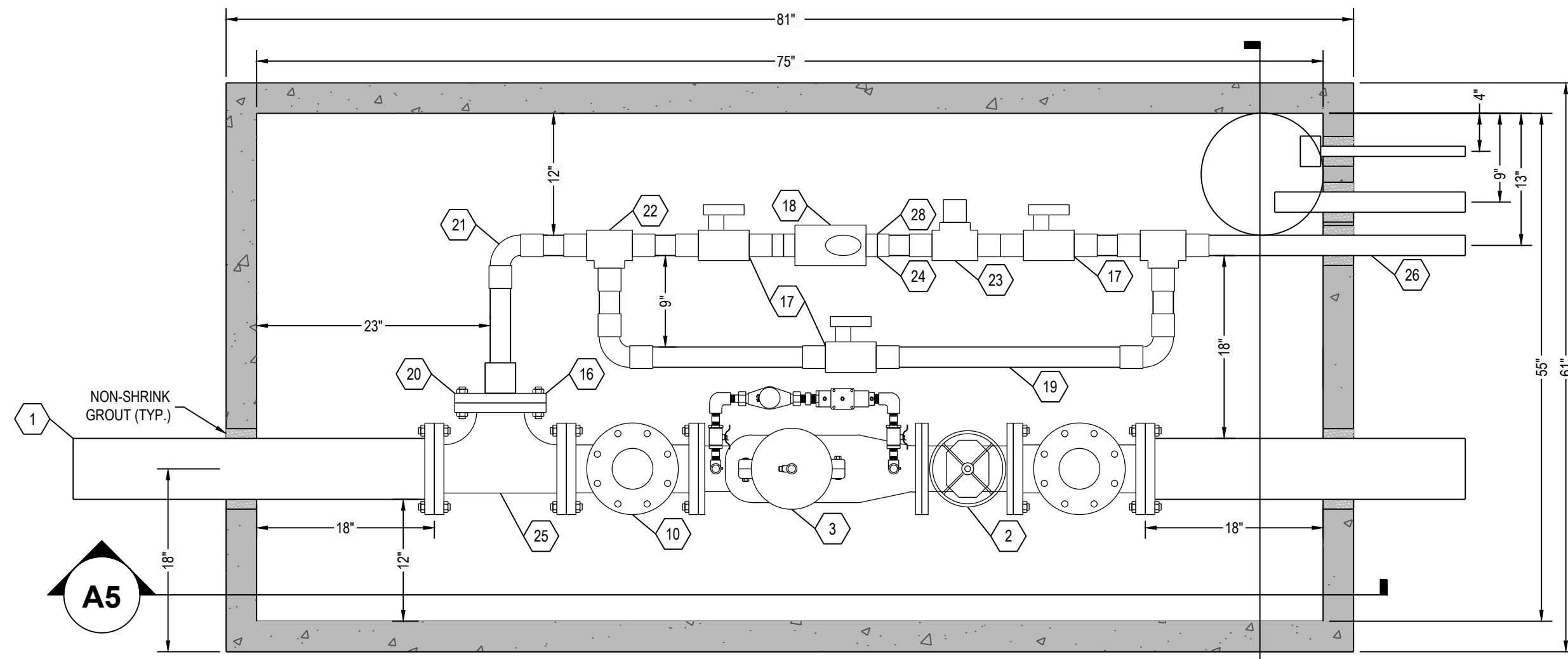
E

D

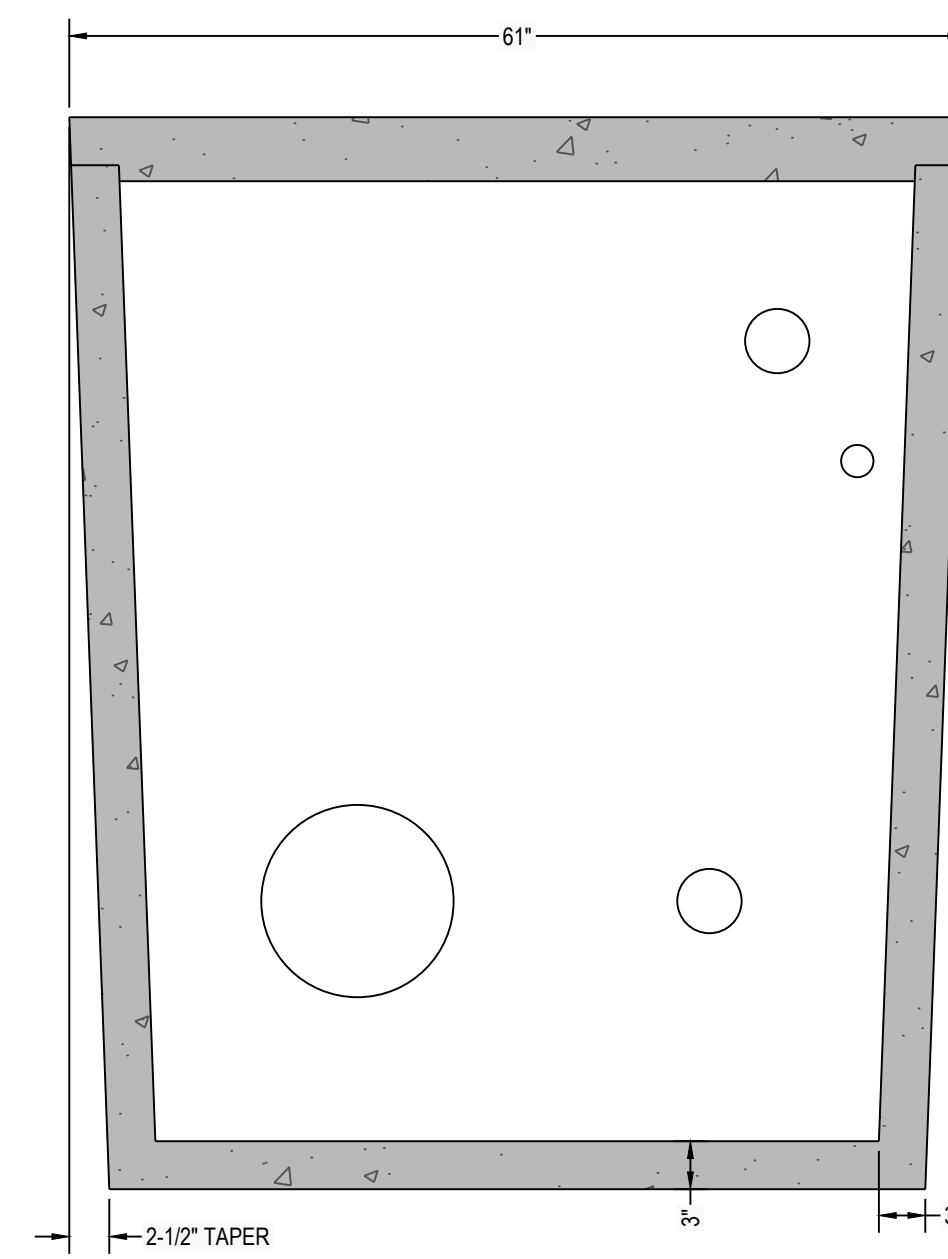
C

B

A



C6 WATER METER VAULT TOP VIEW
1" = 1"



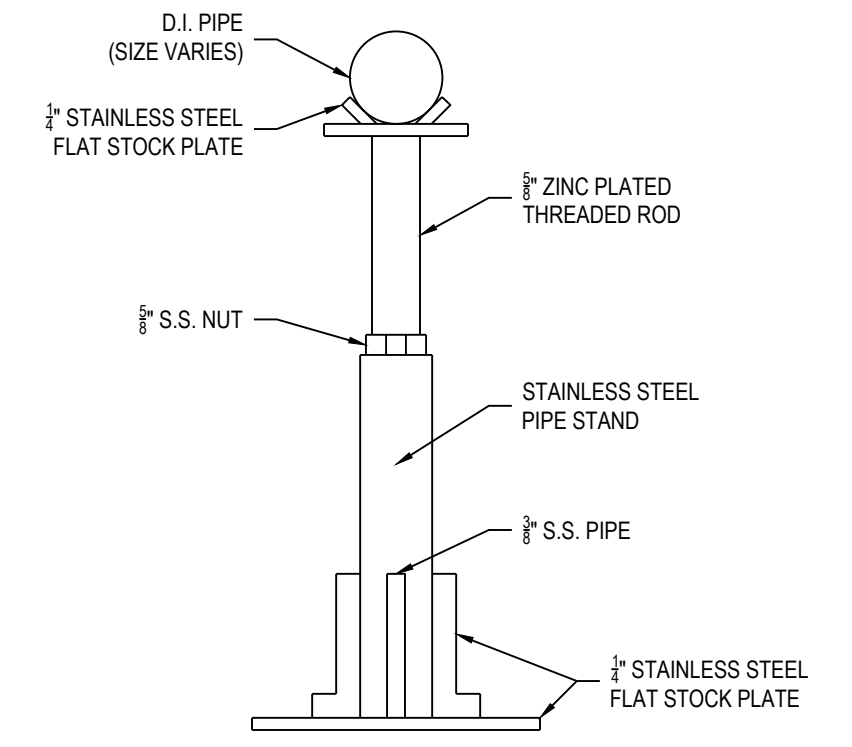
C4 WATER METER VAULT SECTION VIEW
1" = 1"

DESIGN DATA:

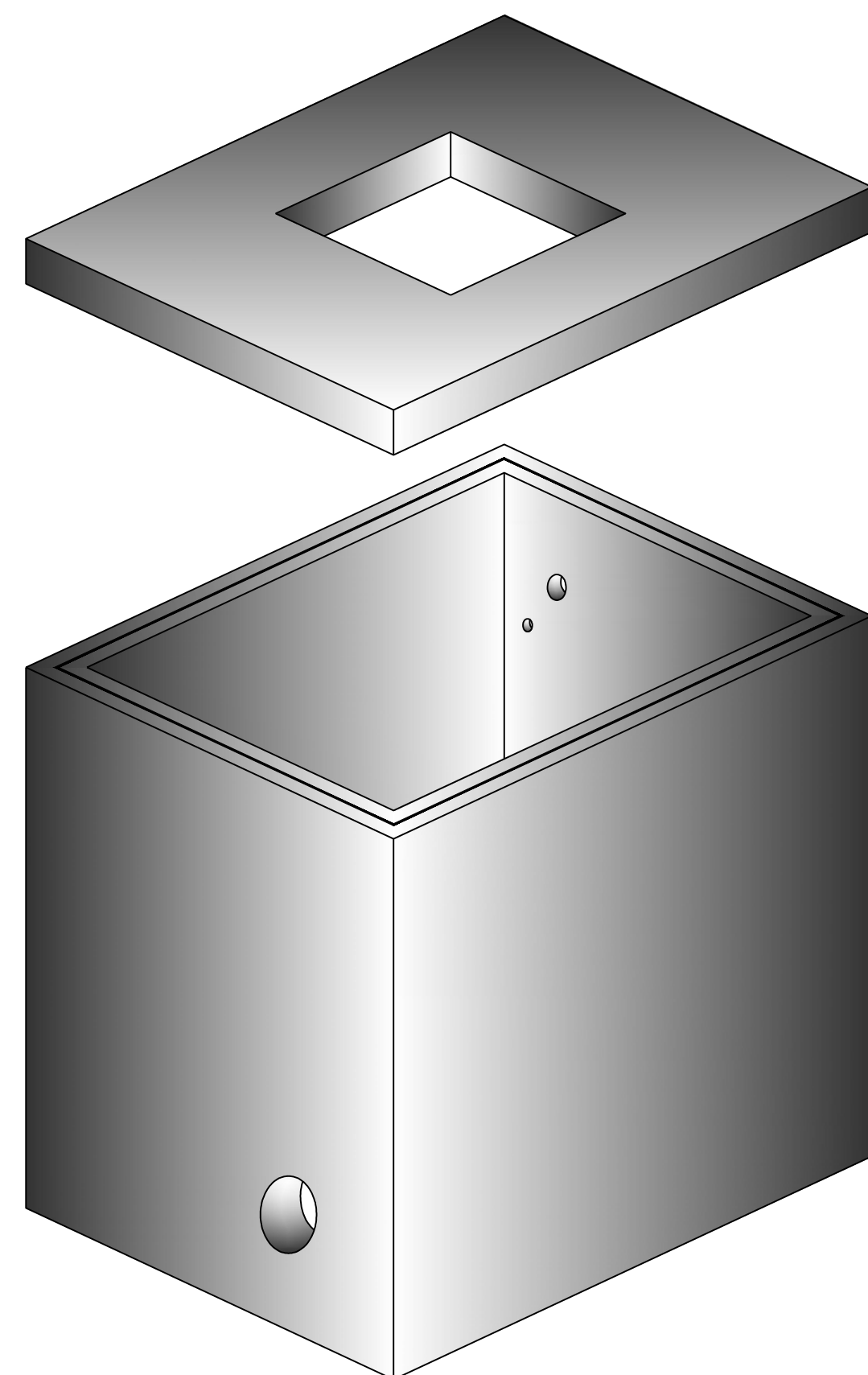
- EARTH COVER = 3 FEET MAX.
- ALLOWABLE WHEEL LOAD = 2500 LB MAX
- CONCRETE MINIMUM COMPRESSIVE STRENGTH = 5,090 PSI @ 28 DAYS
- VAULT LID IS REINFORCED WITH 6 X 6 W8.0 X W8.0 WELDED WIRE FABRIC.
- VAULT BOTTOM AND SIDES ARE REINFORCED WITH 6 X 6 W10.0 X W10.0 WELDED WIRE FABRIC.

CASTING WEIGHTS

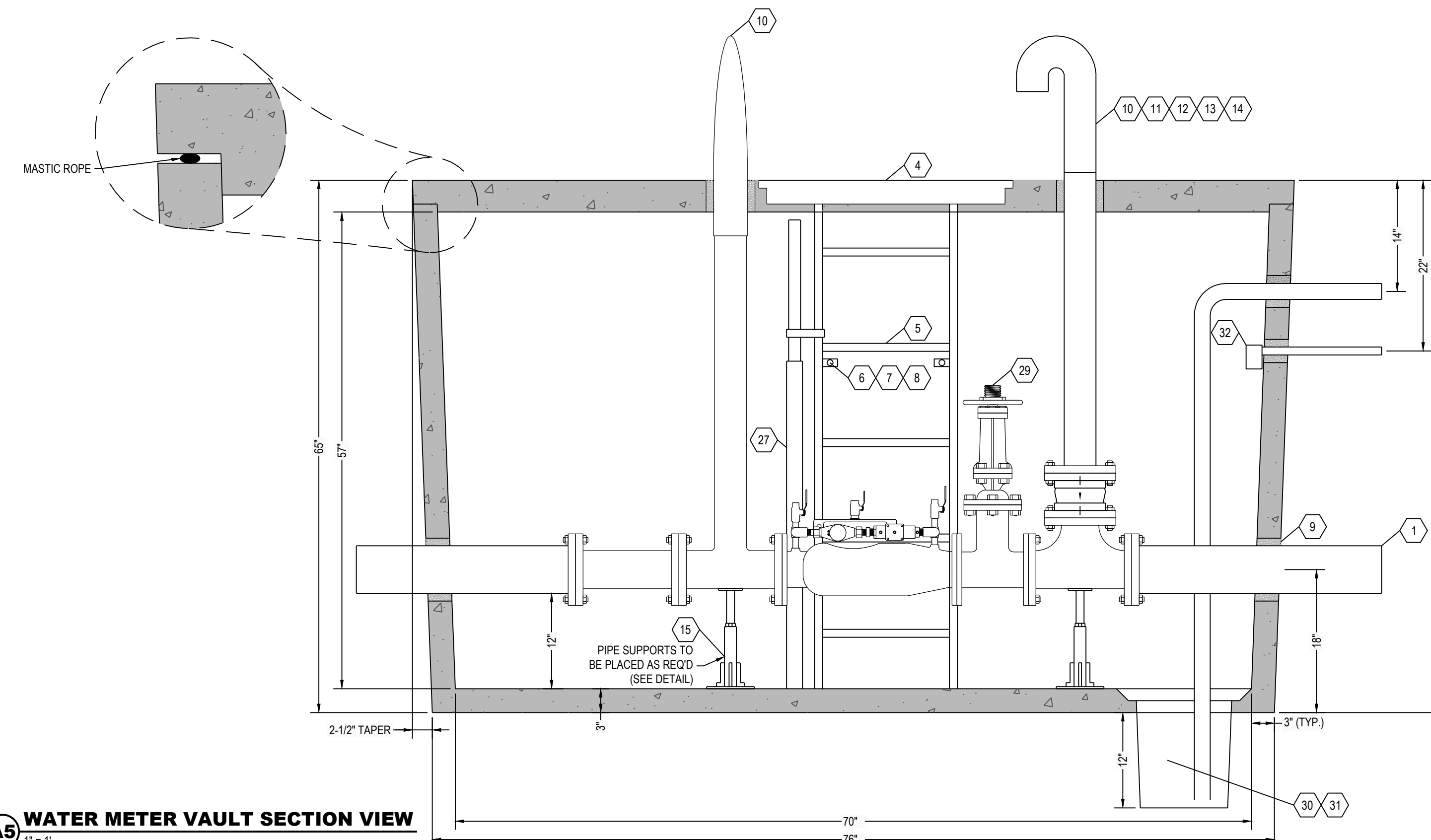
WEIGHT OF LID: 2,074.5 LBS
 WEIGHT OF TANK: 6,488.9 LBS
 TOTAL CASTING WEIGHT: 8,543.4 LBS



D1 PIPE SUPPORT DETAIL
NTS



A6 THREE DIMENSIONAL ISOMETRIC VIEW
NTS



A5 WATER METER VAULT SECTION VIEW
1" = 1"

ITEM	QTY	ITEM DESCRIPTION
1	2	6" X VARIES D.I. PIPE
2	2	6" DIA. OS&Y VALVE
3	1	6" DOUBLE CHK. ASSEMBLY, DETECTOR-AMES 3000SS
4	1	30" SQ. ALUM. HATCH, SLAMLOCK, USF TPS300
5	1	7'-0" ALUMINUM LADDER W/ 4 WALL MOUNTS
6	6	3/8" STAINLESS ANCHOR BOLT
7	7	3/8" STAINLESS WASHER
8	4	3/8" STAINLESS NUT
9	4	CORED HOLE, FILLED WITH GROUT
10	1	4" X 96" GALV SPOOL, MIP X FLG
11	1	4" GALV STREET 90
12	1	5" X 4" STORZ CONNECTION WITH CAP
13	1	4" WAFER CHECK VALVE
14	1	1/2" BRASS BALL DRIP
15	6	STAINLESS STEEL PIPE SUPPORT
16	4	2" BRASS COMP X MIPT COUPLER
17	4	2" BRASS CURB STOP FIP X FIP, LOCKING
18	1	2" DOMESTIC SERVICE METER (INSTALLED BY UTIL.)
19	VAR	2" HARD COPPER PIPING- TYPE K
20	1	4" X 2" REDUCING (BLIND) FLANGE
21	3	2" BRASS 90 DEG ELL
22	2	2" BRASS TEE, COMP X COMP X COMP
23	2	2" BRASS TEE, COMP X COMP X FIP W/ BRASS PLUG
24	2	BRONZE LOC PAK COUPLING (METER FLG X LOC PAK)
25	1	6" X 4" X 6" FLANGED D.I. TEE
26	1	2" COPPER STUBOUT
27	1	ALUMINUM USF TYPE LADDERUP SAFETY DEVICE
28	1	2" BRASS METER FLANGE, COMP X MTR FLNG
29	1	OS&Y TAMPER SWITCH
30	1	SUMP PIT W/ GRATE, HDPE BY POLYLOK
31	1	SUMP PUMP ASSEMBLY W/ 1/3 HP, 115 VOLT, 1 PH ZOELLER M151 AUTOMATIC PUMP, BALL CHECK VALVE, BALL VALVE, UNION TYPE DISCONNECT
32	1	ELECTRICAL JUNCTION BOX

RENSELAER SEPTIC TANKS

1211 NORTH WESTON STREET
 P.O. BOX 70
 RENSELAER, INDIANA 47978
 phone: (219) 866-5063
 (800) 240-5123
 fax: (219) 866-3894

PROJECT NAME
 CLIENT NAME
 ADDRESS

PROJECT NO: **08012**
 FILE: 750 GAL NT WATER VAULT.DWG
 DRAWN BY: TVL
 CHECKED BY: PEW

TITLE:
MANUFACTURER'S DETAIL DRAWING

NO TRAFFIC

R-000

* ALL RENSELAER SEPTIC TANKS ARE MONOLITHICALLY Poured *

This drawing is the property of Rensselaer Septic Tanks. It is submitted for reference purposes only. © 2008 Rensselaer Septic Tanks