

6

5

4

3

2

1

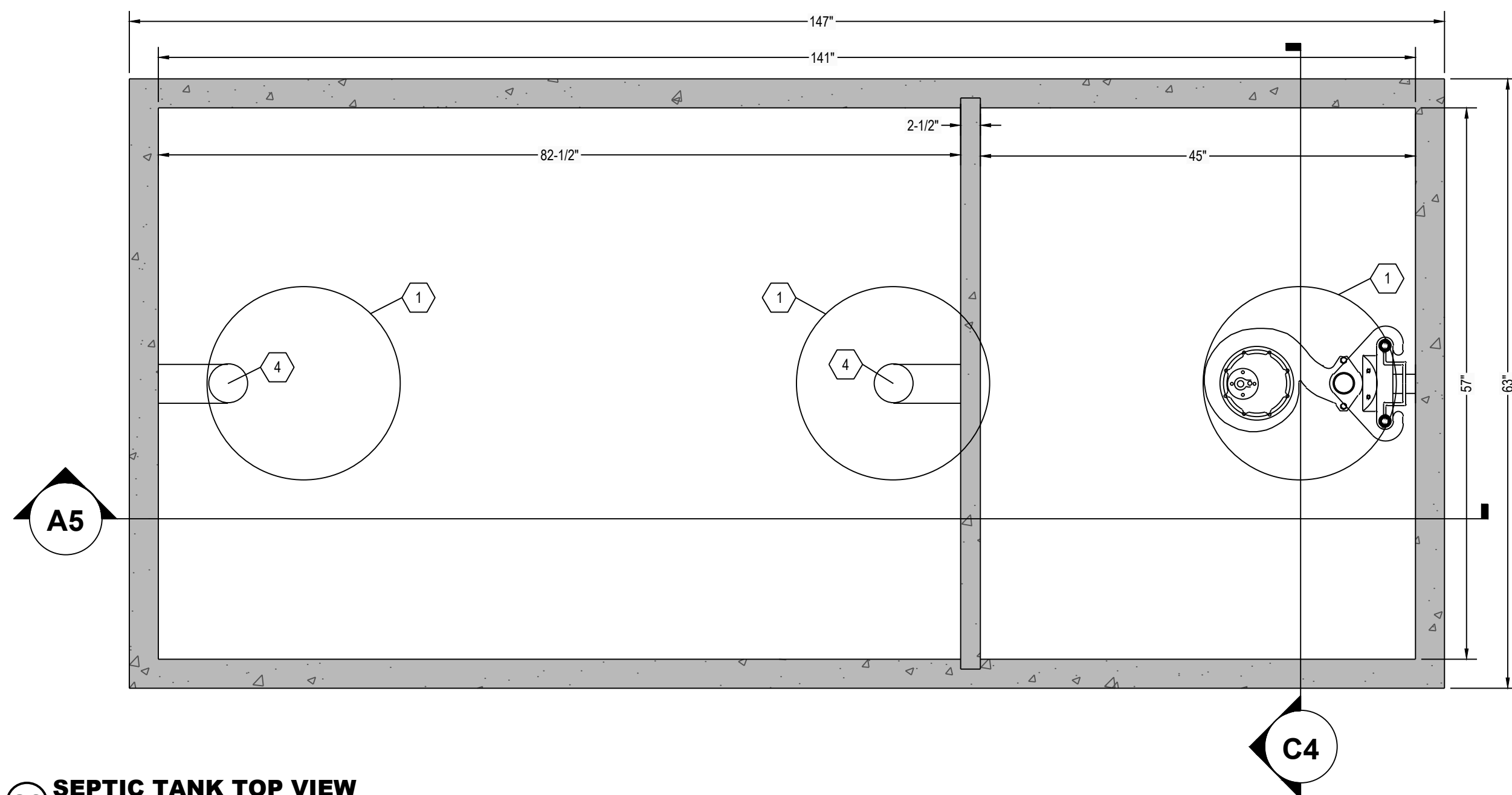
E

D

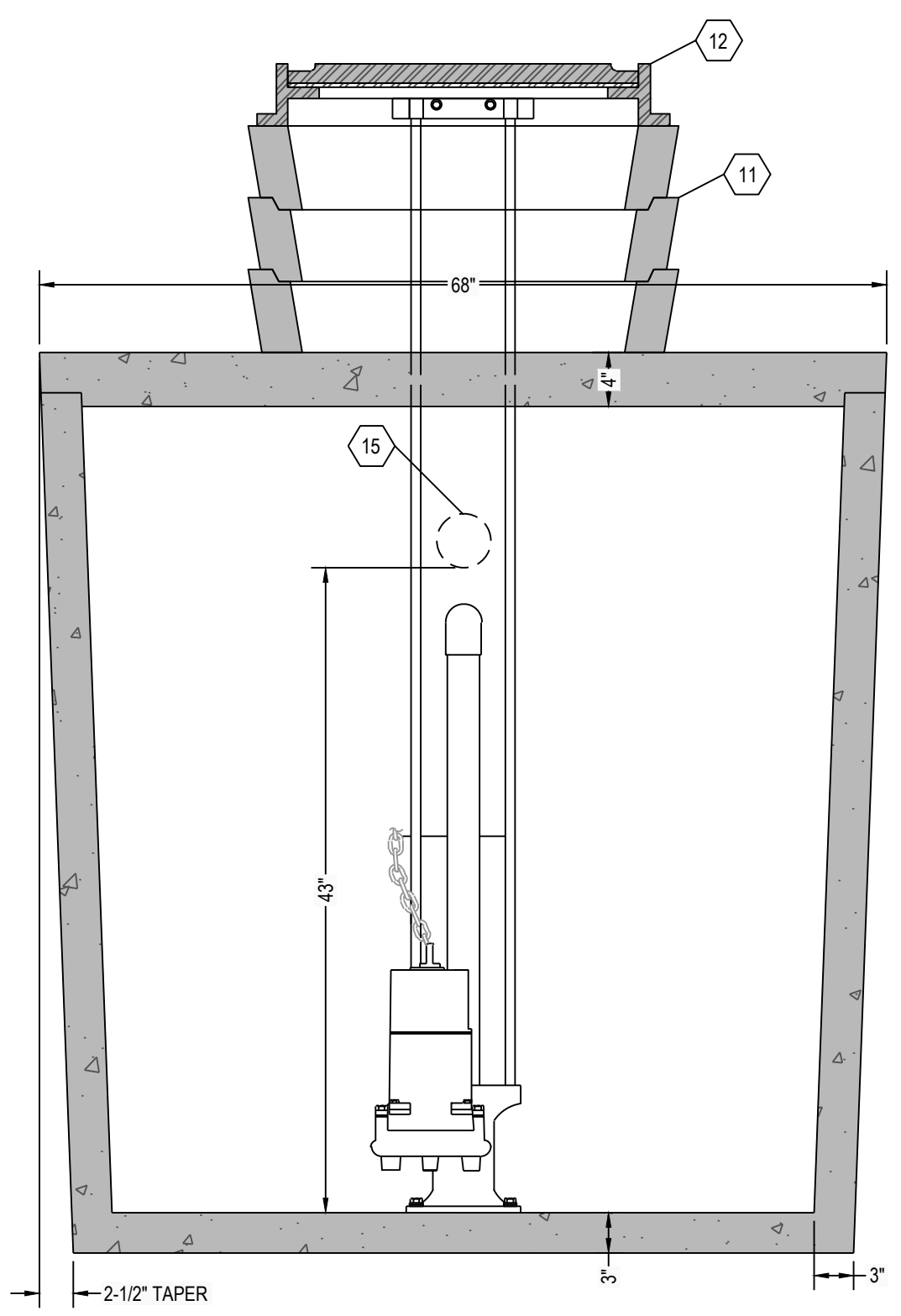
C

B

A



C6 SEPTIC TANK TOP VIEW
1" = 1"



C4 SEPTIC TANK SECTION VIEW
1" = 1"

- DESIGN DATA:**
- EARTH COVER = 3 FEET MAX
 - ALLOWABLE WHEEL LOAD = 2500 LB MAX
 - CONCRETE MINIMUM COMPRESSIVE STRENGTH = 5,090 PSI @ 28 DAYS
 - LIFTING HOOKS ARE 1/2" DIAMETER, ASTM A36 COLD ROLLED STEEL
 - SEPTIC TANK LID IS REINFORCED WITH 6 X 6 W8.0 X W8.0 WELDED WIRE FABRIC.
 - SEPTIC TANK BOTTOM AND SIDES ARE REINFORCED WITH 6 X 6 W10.0 X W10.0 WELDED WIRE FABRIC.
 - ALL CONCRETE SURFACES ABOVE THE LIQUID LEVEL ARE COATED WITH AIRLESS ASPHALT.

CASTING WEIGHTS

WEIGHT OF LID: 2,725.0 LBS
 WEIGHT OF TANK: 7,744.5 LBS
 TOTAL CASTING WEIGHT: 10,469.5 LBS

SEPTIC COMPARTMENT CAPACITY:

LIQUID STORAGE = 972 GALLONS
 19.4 GALLONS PER INCH

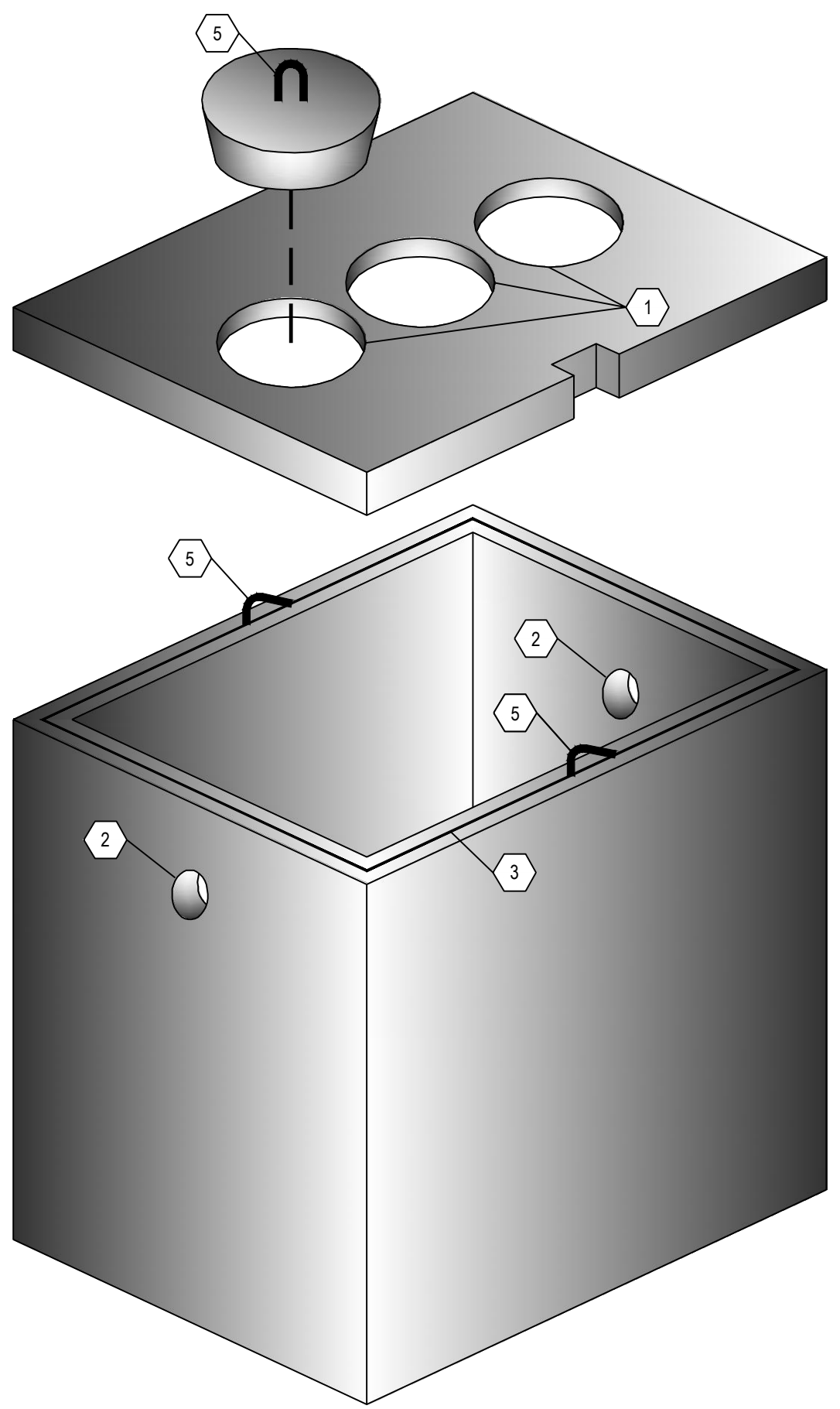
DOSING COMPARTMENT CAPACITY:

LIQUID STORAGE = 528 GALLONS
 10.6 GALLONS PER INCH
 MAXIMUM DOSE = XXX GALLONS (XX)
 PUMP COOLING = 138 GALLONS (13")
 UNUSED (ALARM) = 42 GALLONS (4")
 TOTAL = XXX GALLONS (XX)

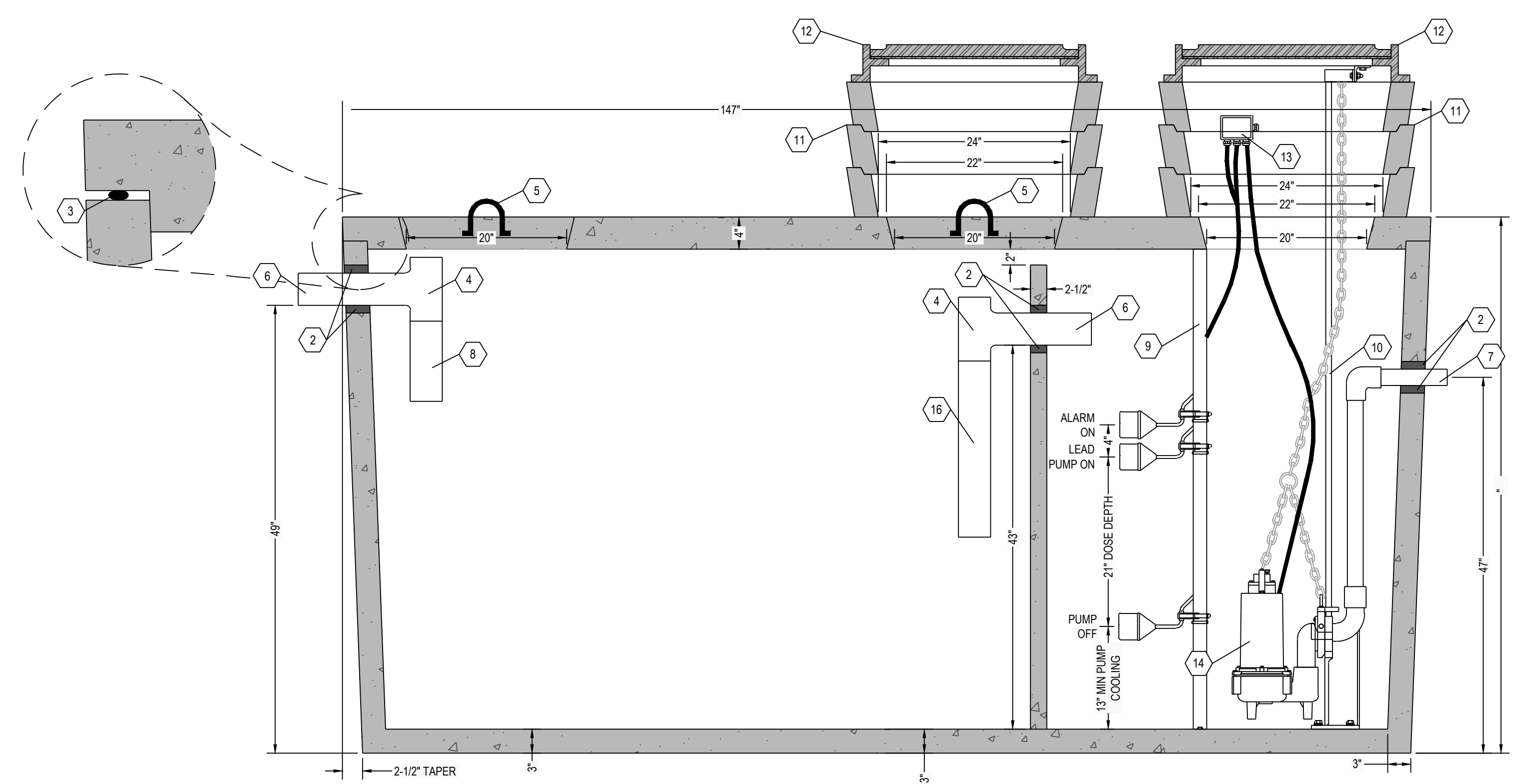
- NOTES:**
- SET PUMP ON FLOAT SWITCH ELEVATION ACCORDING TO ELEVATION TABLE (BELOW); WHICH YIELDS THE REQUIRED DOSE VOLUME OF XXX GALLONS.
 - CONTRACTOR SHALL INSTALL CONTROL PANEL ACCORDING TO PUMP MANUFACTURER'S RECOMMENDATION.
 - COORDINATE POWER & ALARM SERVICE PRIOR TO CONSTRUCTION ACTIVITIES
 - ONLY NON-CORROSIVE MATERIALS SHALL BE UTILIZED WITHIN THE DOSING TANK AND FOR THE RISER AND LID (NO GALVANIZED, PAINTED, OR EXPOSED STEEL)
 - AUDIO VISUAL ALARM CIRCUIT MUST LOCK ON WITH ANY PUMP FAILURE WITH MANUAL RESET.
 - THE INLET PORTS THROUGH THE INTERIOR WALL SHALL BE PROVIDED WITH A SANITARY TEE AND TS-4PRO RUBBER GASKET SEAL BY TUF-TITE. THE SANITARY TEE SHALL BE LOCATED OUTSIDE THE PUMP VAULT (IN THE SEPTIC COMPARTMENT). A 12" LONG DOWNWARD EXTENSION SHALL BE PROVIDED AT THE SANITARY TEE. AN UPWARD EXTENSION SHALL BE PROVIDED AT THE SANITARY TEE SUCH THAT THE TOP OF EXTENSION EXTENDS BEYOND THE ALARM ELEVATION.

DOSING CHAMBER ELEVATIONS

DESCRIPTION	ELEVATION (FEET)
BOTTOM OF CHAMBER	0.00
PUMP OFF	1.08
PUMP ON	2.83
ALARM	3.17
LAG PUMP ON	N/A



A6 THREE DIMENSIONAL ISOMETRIC VIEW
NTS



A5 SEPTIC TANK SECTION VIEW
1" = 1"

NOTE:

1. 2 1/2" DIAMETER POLY RISERS OR CUSTOM RECTANGULAR RISERS WITH ALUMINUM HATCHES ARE AVAILABLE AS SUBSTITUTES TO POLY RISER AS SHOWN HEREON.

3. HIGH PRESSURE CLOSED END BOOT SEALS ARE AVAILABLE AS SUBSTITUTES TO RUBBER GASKET TYPE SEALS AS SHOWN HEREON.

KEYNOTE INDEX

1	20" DIAMETER MANHOLE OPENING
2	HIGH PRESSURE CLOSED END BOOT SEAL
3	MASTIC ROPE
4	SANITARY TEE AT INLET
5	1/2" DIAMETER LIFTING HOOKS
6	4" DIAMETER INLET (6" AVAILABLE UPON REQUEST)
7	X" DIAMETER OUTLET
8	12" EXTENSION AT INLET
9	FLOAT POLE ASSEMBLY WITH STAINLESS STEEL HARDWARE
10	RAIL SYSTEM WITH STAINLESS STEEL RAILS & HARDWARE
11	CONCRETE GRADE RING (AS NECESSARY)
12	CAST FRAME & COVER (NOT INCLUDED)
13	WATERTIGHT ELECTRICAL JUNCTION BOX
14	DOSING PUMP
15	ONE (1) 4" DIAMETER PORT THROUGH INTERIOR WALL - SEE NOTE 6
16	EFFLUENT FILTER

*** ALL RENSSELAER SEPTIC TANKS ARE MONOLITHICALLY Poured ***

RENSSELAER SEPTIC TANKS

1211 NORTH WESTON STREET
 P.O. BOX 70
 RENSSELAER, INDIANA 47978
 phone: (219) 866-5063
 (800) 240-5123
 fax: (219) 866-3894

PROJECT NAME
 CLIENT NAME
 ADDRESS

PROJECT NO: _____
 FILE: 1500 GAL-DUAL-NT-SIMPLEX.DWG
 DRAWN BY: ASJM
 CHECKED BY: PEW

TITLE:
**MANUFACTURER'S
 DETAIL DRAWING**
 1500 GALLON (2) COMPARTMENT
 SIMPLEX DOSING
 NO TRAFFIC

R-000

This drawing is the property of Rensselaer Septic Tanks. It is submitted for reference purposes only. © 2008 Rensselaer Septic Tanks