

6

5

4

3

2

1

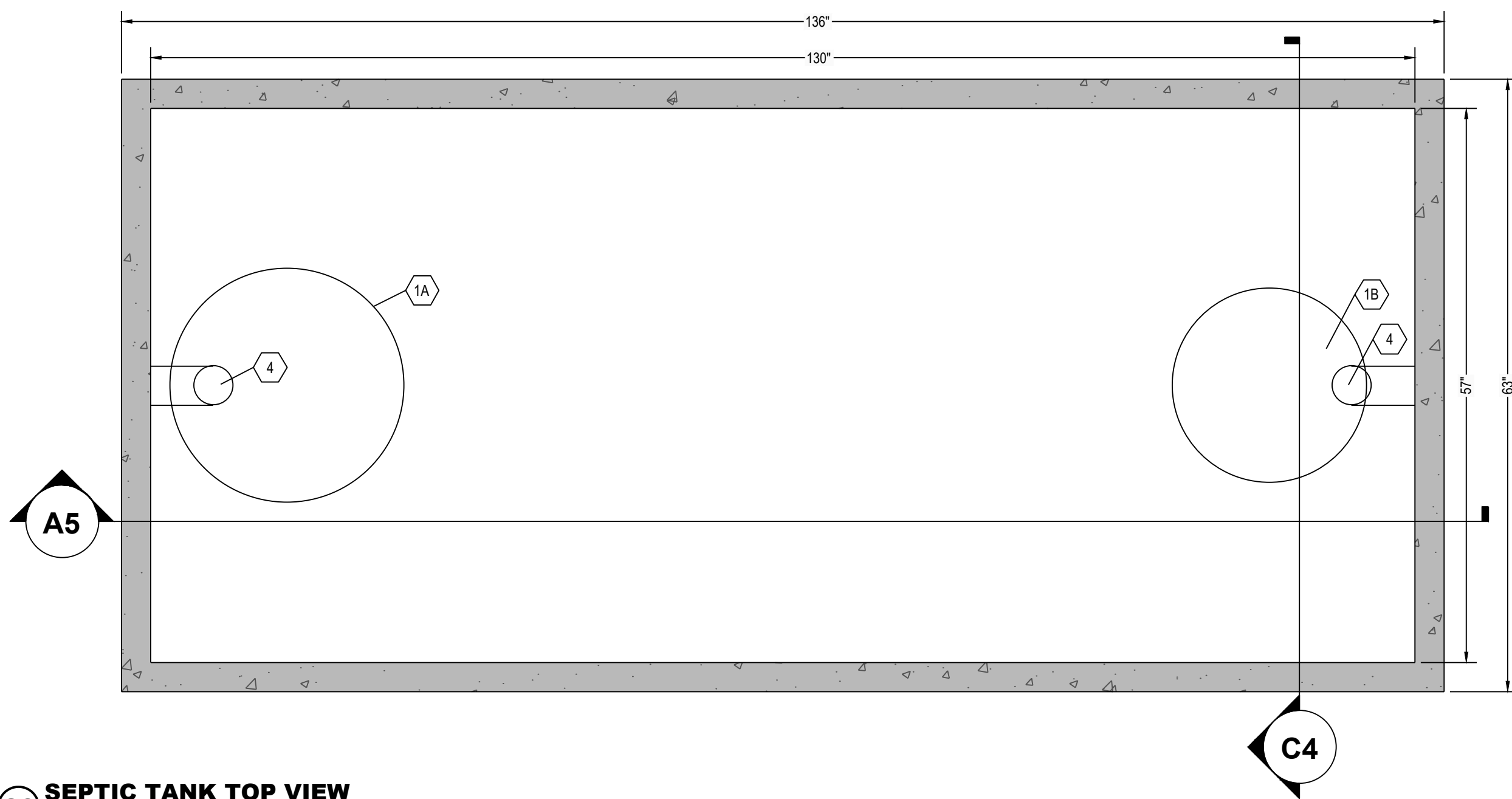
E

D

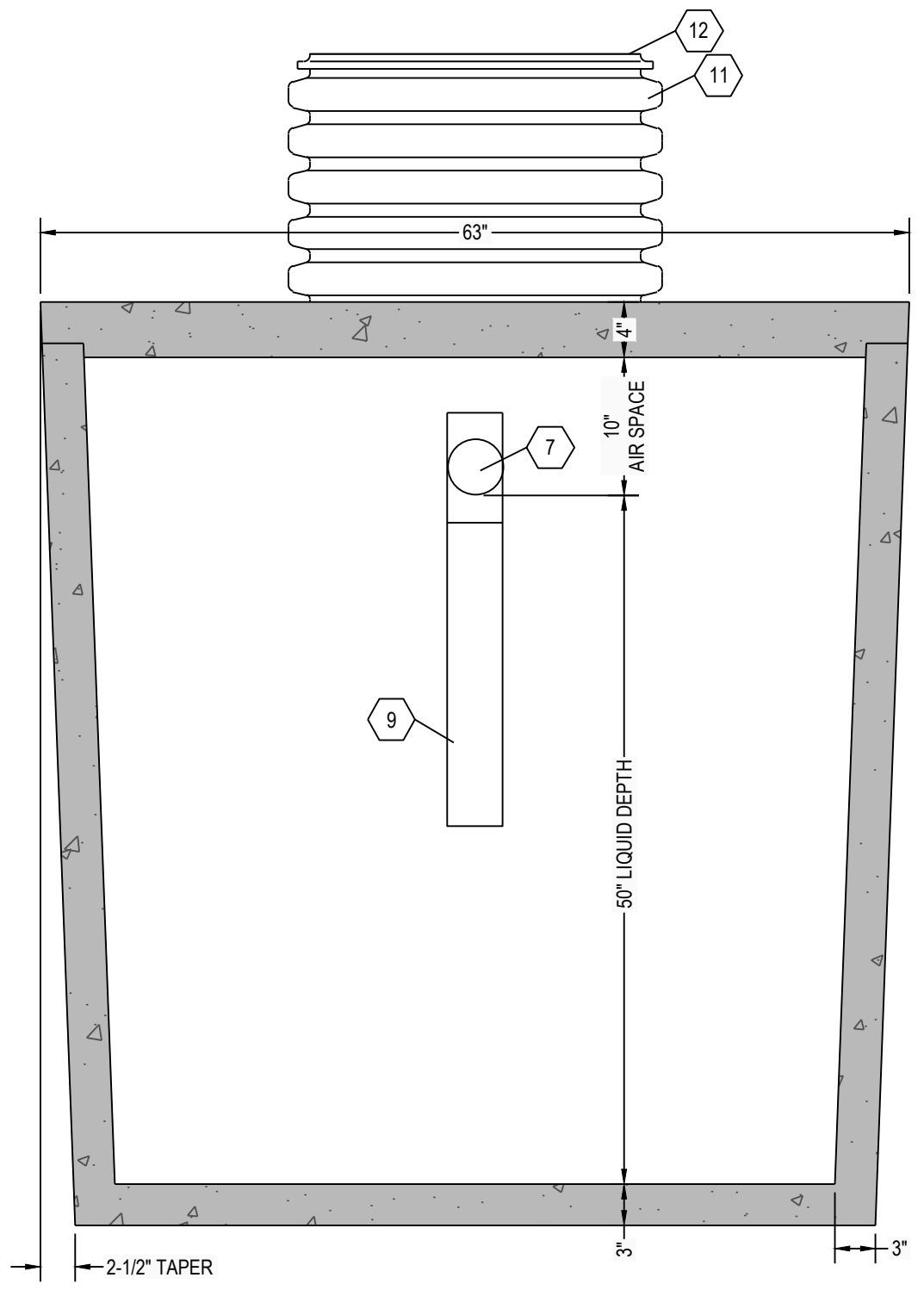
C

B

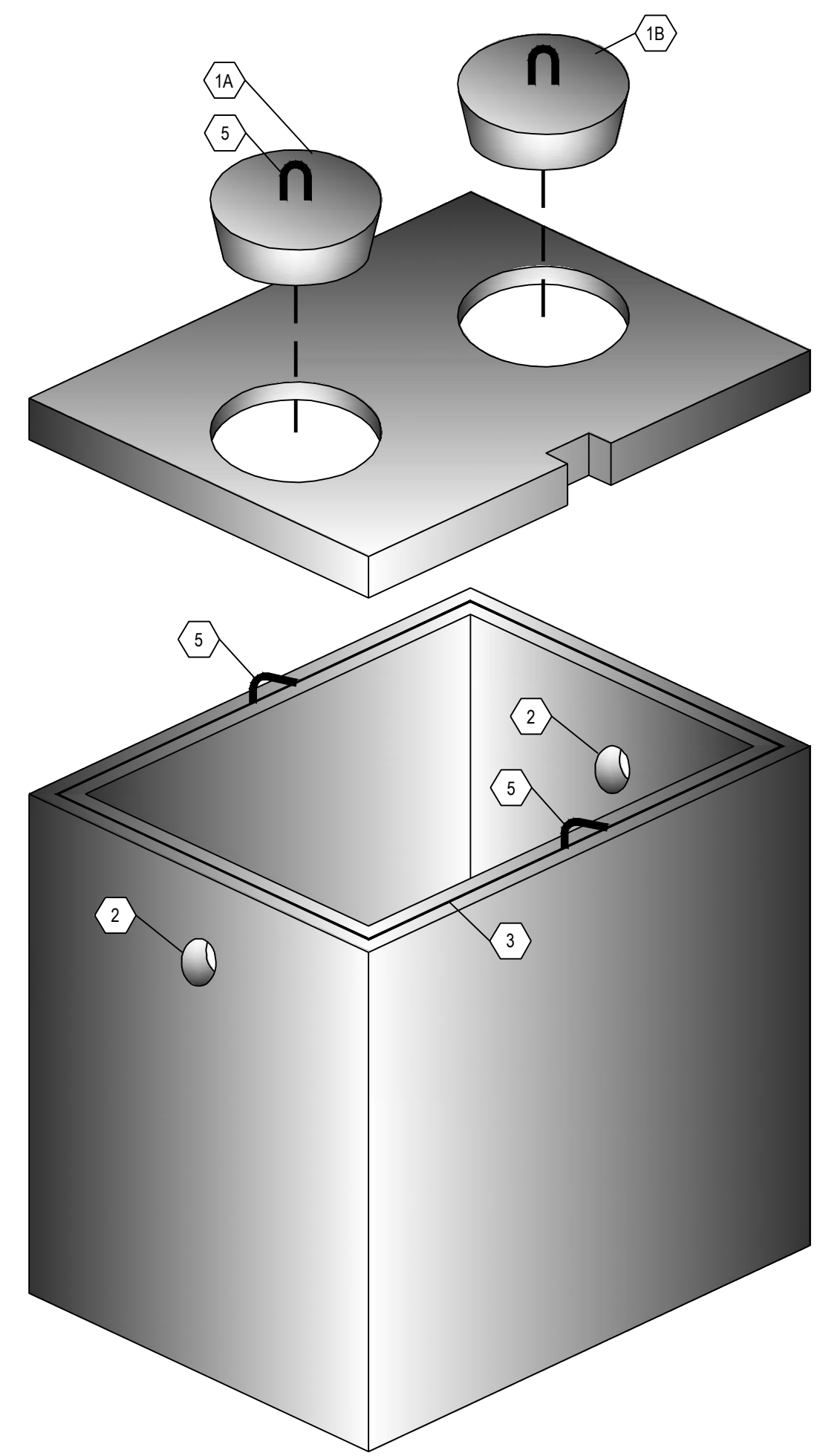
A



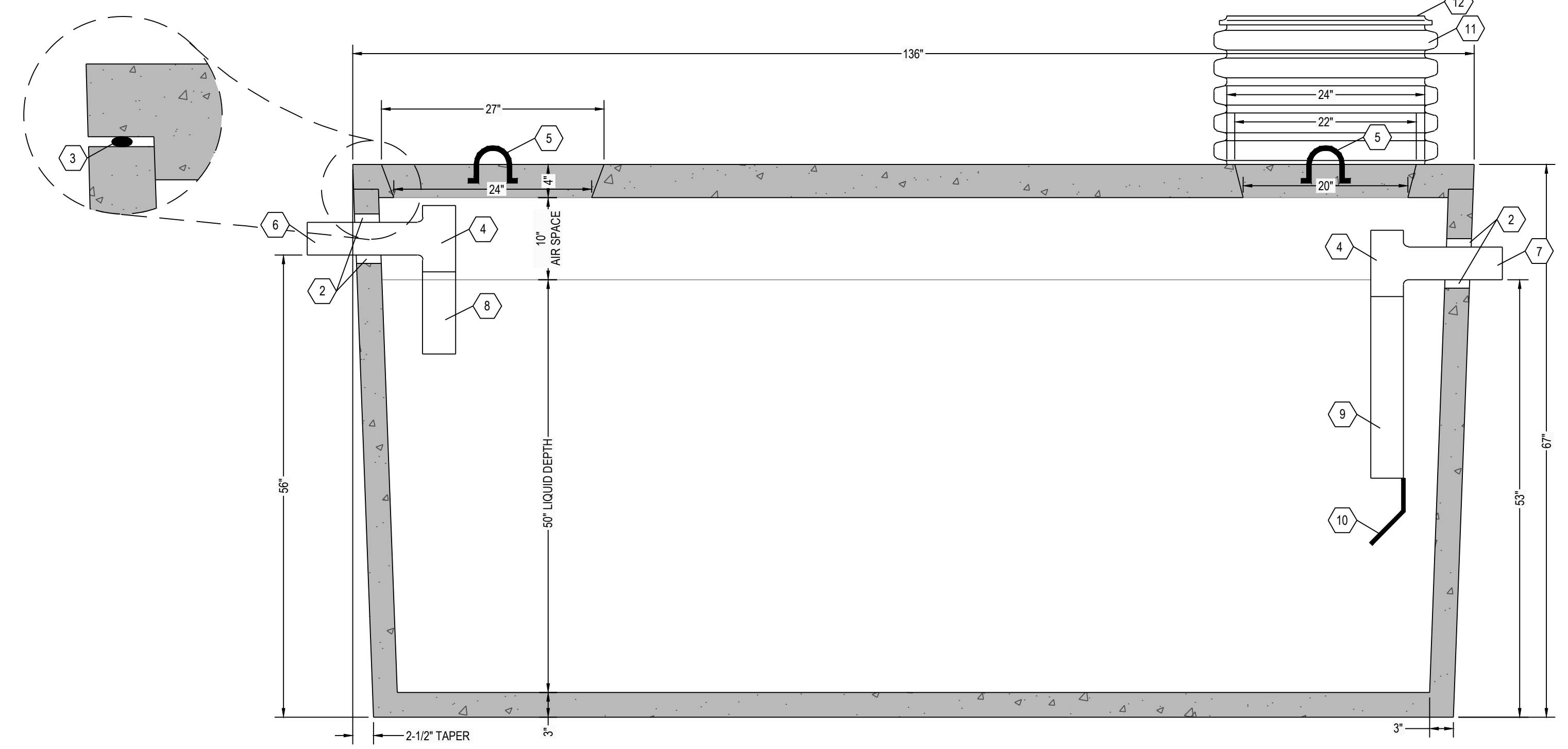
**C6 SEPTIC TANK TOP VIEW**  
1" = 1"



**C4 SEPTIC TANK SECTION VIEW**  
1" = 1"



**A6 THREE DIMENSIONAL ISOMETRIC VIEW**  
NTS



**A5 SEPTIC TANK SECTION VIEW**  
1" = 1"

- DESIGN DATA:**
- EARTH COVER = 3 FEET MAX.
  - ALLOWABLE WHEEL LOAD = 2500 LB MAX.
  - CONCRETE MINIMUM COMPRESSIVE STRENGTH = 5,090 PSI @ 28 DAYS.
  - LIFTING HOOKS ARE 2" DIAMETER, ASTM A36 COLD ROLLED STEEL.
  - SEPTIC TANK LID IS REINFORCED WITH 6 X 6 W8.0 X W8.0 WELDED WIRE FABRIC.
  - SEPTIC TANK BOTTOM AND SIDES ARE REINFORCED WITH 6 X 6 W10.0 X W10.0 WELDED WIRE FABRIC.
  - ALL CONCRETE SURFACES ABOVE THE LIQUID LEVEL ARE COATED WITH AIRLESS ASPHALT.

**CASTING WEIGHTS**

WEIGHT OF LID: 2,725.0 LBS  
 WEIGHT OF TANK: 7,744.5 LBS  
 TOTAL CASTING WEIGHT: 10,469.5 LBS

**SEPTIC TANK CAPACITY:**

28.1 GALLONS PER INCH  
 STORAGE CAPACITY = 1532 GALLONS  
 TOTAL VOLUME = 1970 GALLONS

**NOTE:**

- EXTENSIONS ARE AVAILABLE FOR 24" DIAMETER POLY RISERS.
- 24" DIAMETER CONCRETE GRADE RINGS OR CUSTOM RECTANGULAR RISERS WITH ALUMINUM HATCHES ARE AVAILABLE AS SUBSTITUTES TO POLY RISER AS SHOWN HEREON.
- HIGH PRESSURE CLOSED END BOOT SEALS ARE AVAILABLE AS SUBSTITUTES TO RUBBER GASKET TYPE SEALS AS SHOWN HEREON.

KEYNOTE INDEX	
1A	24" DIAMETER MANWAY
1B	20" DIAMETER MANHOLE OPENING
2	HIGH PRESSURE CLOSED END BOOT SEAL
3	MASTIC ROPE
4	SANITARY TEE AT INLET & OUTLET
5	2" DIAMETER LIFTING HOOKS
6	4" DIAMETER INLET (6" AVAILABLE UPON REQUEST)
7	4" DIAMETER OUTLET (6" AVAILABLE UPON REQUEST)
8	12" EXTENSION AT INLET
9	24" EXTENSION AT OUTLET
10	FLEXIBLE, NON-CORROSIVE POLYPROPYLENE GAS BAFFLE BY TUF-TITE AFFIXED WITH STAINLESS STEEL SCREWS
11	24" DIAMETER POLY RISER (18" HEIGHT TYP)
12	24" DIAMETER GAS TIGHT POLY SNAP CAP LID AFFIXED WITH STAINLESS STEEL SCREWS

# RENSELAER SEPTIC TANKS

1211 NORTH WESTON STREET  
 P.O. BOX 70  
 RENNELAER, INDIANA 47978  
 phone: (219) 866-5063  
 (800) 240-5123  
 fax: (219) 866-3894

PROJECT NAME  
 CLIENT NAME  
 ADDRESS

PROJECT NO: \_\_\_\_\_  
 FILE: 1500 GAL- SINGLE- NT.DWG  
 DRAWN BY: ASJM  
 CHECKED BY: PEW

TITLE:  
**MANUFACTURER'S  
 DETAIL DRAWING**  
 1500 GALLON SEPTIC TANK  
 NO TRAFFIC

**R-000**

\* ALL RENNELAER SEPTIC TANKS ARE MONOLITHICALLY Poured \*

This drawing is the property of Rensselaer Septic Tanks. It is submitted for reference purposes only. © 2008 Rensselaer Septic Tanks.