

6

5

4

3

2

1

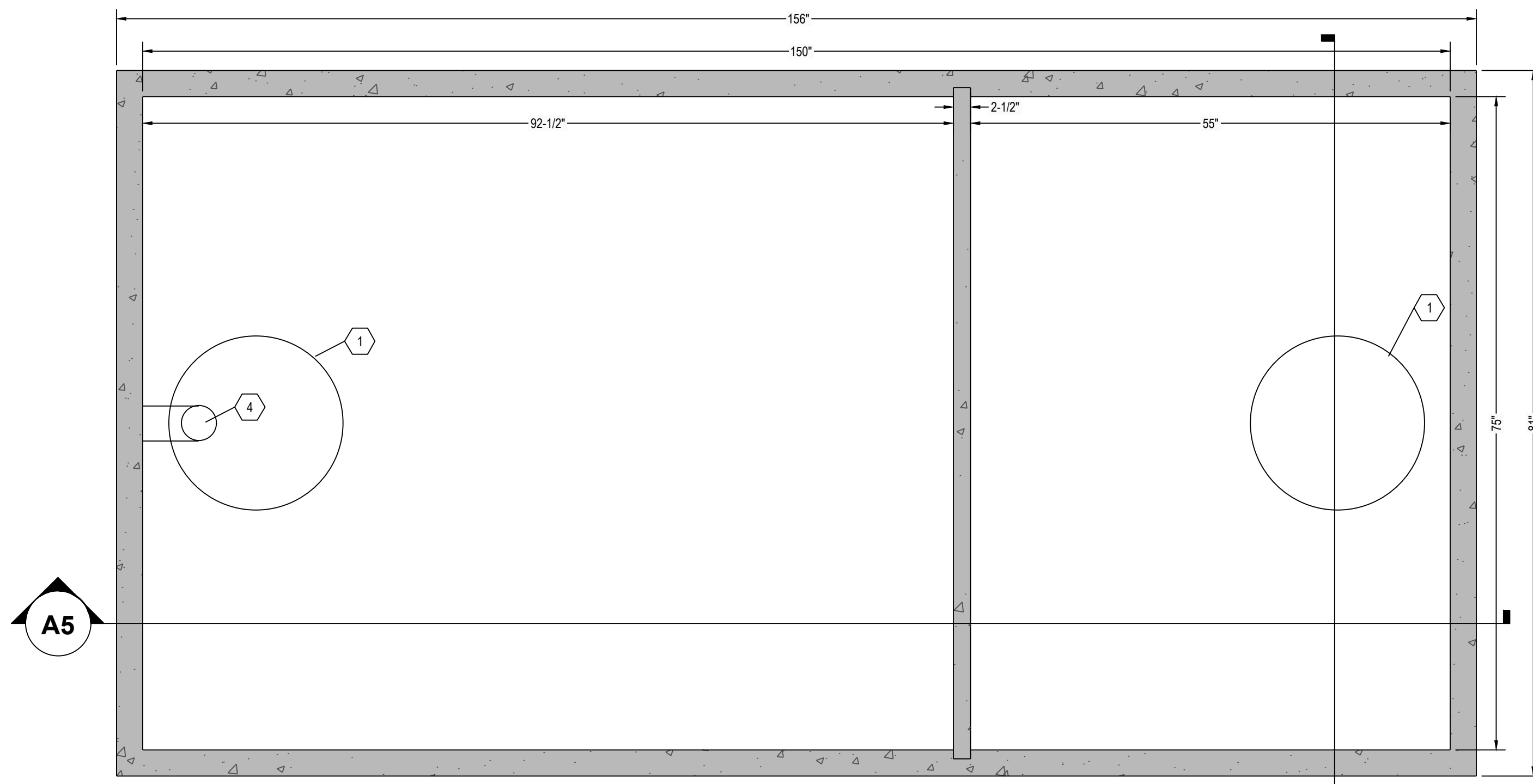
E

D

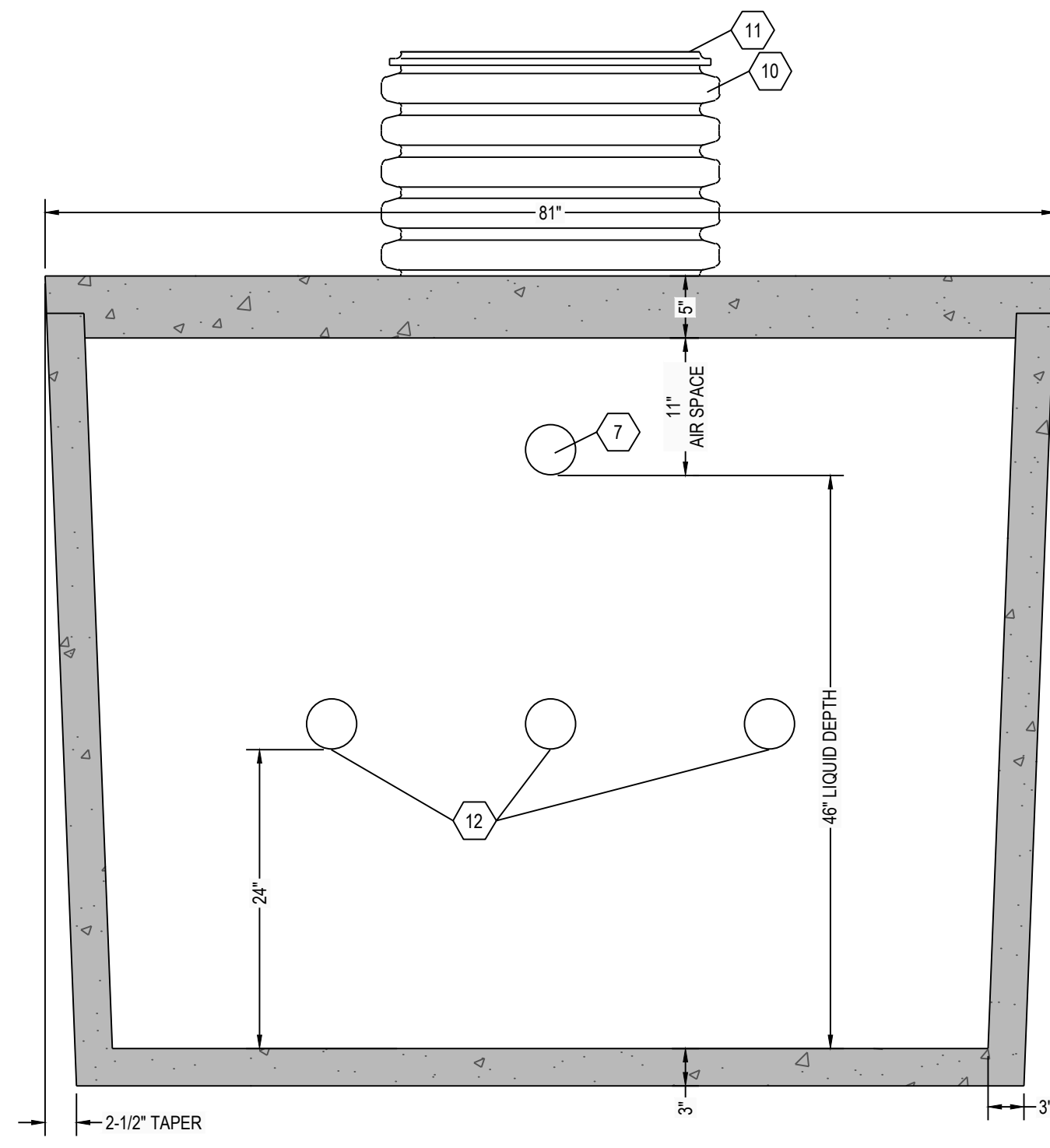
C

B

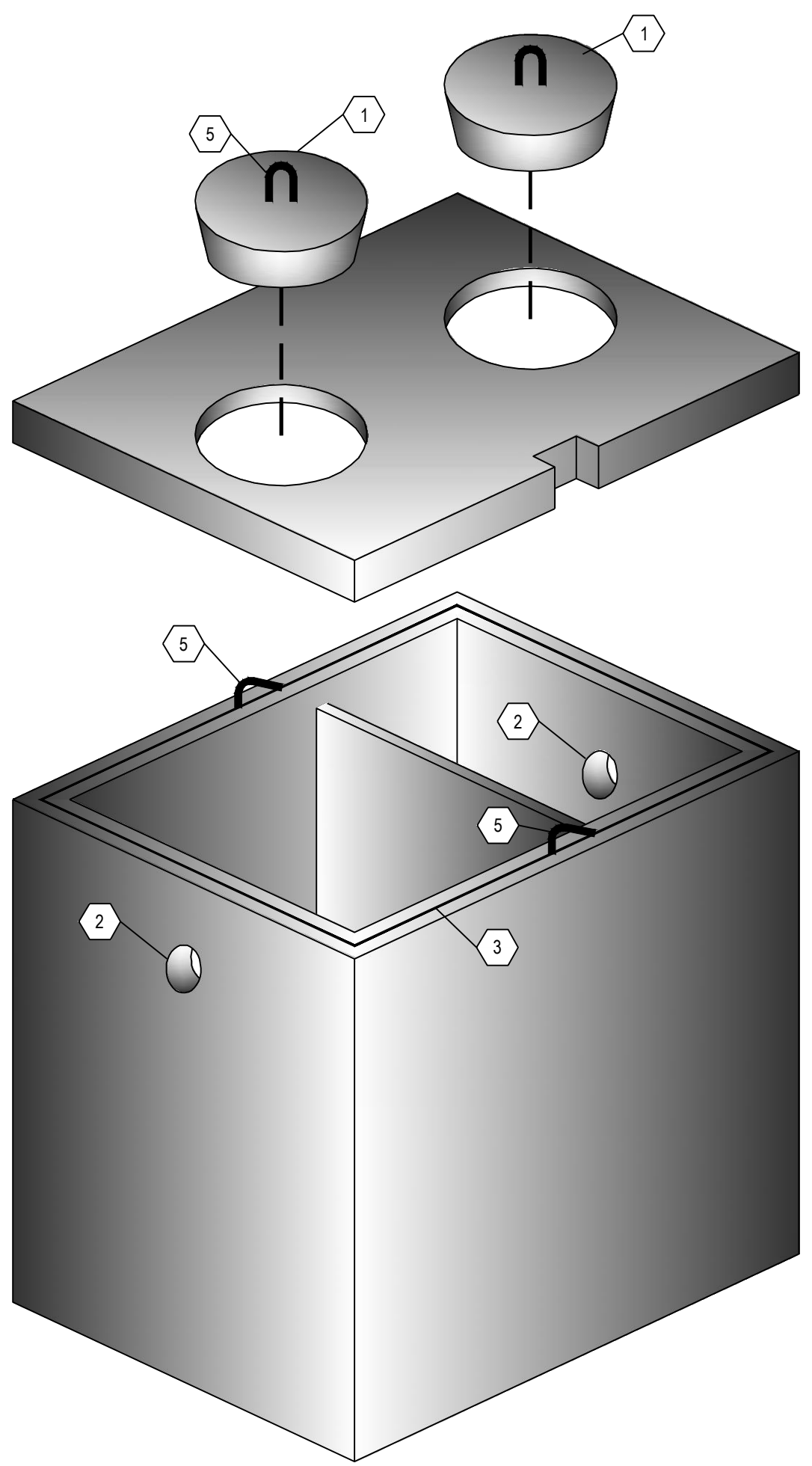
A



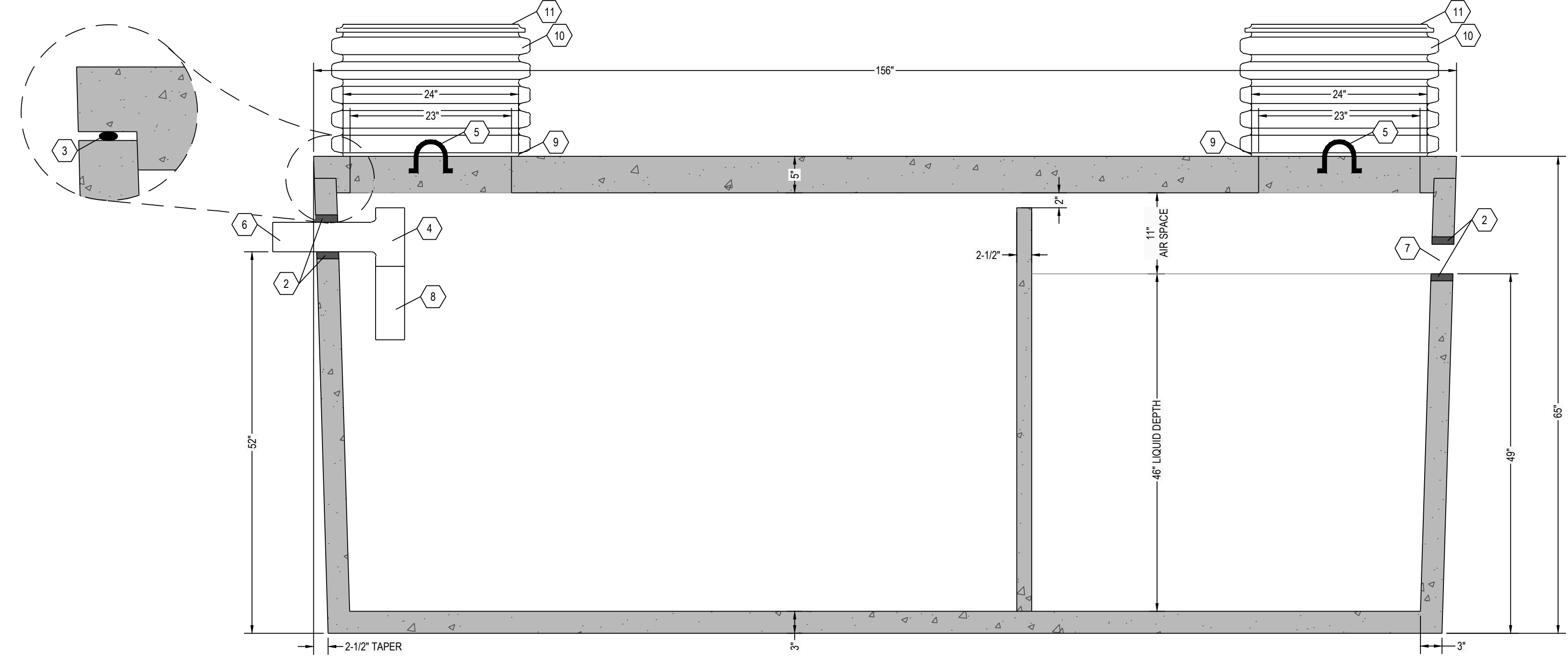
C6 SEPTIC TANK TOP VIEW
1" = 1"



C3 SEPTIC TANK SECTION VIEW
1" = 1"



A6 THREE DIMENSIONAL ISOMETRIC VIEW
NTS



A5 SEPTIC TANK SECTION VIEW
1" = 1"

DESIGN DATA:

1. EARTH COVER = 3 FEET MAX
2. ALLOWABLE WHEEL LOAD = 2500 LB MAX
3. CONCRETE MINIMUM COMPRESSIVE STRENGTH = 5,090 PSI @ 28 DAYS
4. LIFTING HOOKS ARE 3" DIAMETER, ASTM A36 COLD ROLLED STEEL
5. ALL CONCRETE SURFACES ABOVE THE LIQUID LEVEL ARE COATED WITH AIRLESS ASPHALT.

CASTING WEIGHTS

WEIGHT OF LID: 5,484.4 LBS
 WEIGHT OF TANK: 9,697.9 LBS
 TOTAL CASTING WEIGHT: 15,182.3 LBS

(2) COMPARTMENT TANK CAPACITY:

FIRST COMPARTMENT CAPACITY = 1287 GALLONS
 28.0 GALLONS PER INCH
 SECOND COMPARTMENT CAPACITY = 753 GALLONS
 16.4 GALLONS PER INCH

STORAGE CAPACITY = 2041 GALLONS
 TOTAL VOLUME = 2639 GALLONS

REINFORCEMENT CRITERIA

LID REINFORCEMENT
 SHORT SPAN = #4 REBAR (GRADE 60) SPACED AT 8" (MAX) OC
 LONG SPAN = #4 REBAR (GRADE 60) SPACED AT 22" (MAX) OC

WALL REINFORCEMENT
 SHORT SPAN (VERTICAL) = #4 REBAR (GRADE 60) SPACED AT 8-1/2" (MAX) OC
 LONG SPAN = #4 REBAR (GRADE 60) SPACED AT 33" (MAX) OC

FLOOR REINFORCEMENT
 SHORT SPAN = #4 REBAR (GRADE 60) SPACED AT 8-1/2" (MAX) OC
 LONG SPAN = #4 REBAR (GRADE 60) SPACED AT 37" (MAX) OC

NOTE:

HIGH PRESSURE CLOSED END BOOT SEALS ARE AVAILABLE AS SUBSTITUTES TO RUBBER GASKET TYPE SEALS AS SHOWN HEREON.

KEYNOTE INDEX

1	23" DIAMETER MANHOLE OPENING
2	HIGH PRESSURE CLOSED END BOOT SEAL
3	MASTIC ROPE
4	SANITARY TEE AT INLET
5	6" DIAMETER LIFTING HOOKS
6	4" DIAMETER INLET (6" AVAILABLE UPON REQUEST)
7	4" DIAMETER OUTLET (6" AVAILABLE UPON REQUEST)
8	12" EXTENSION AT INLET
9	ORENCO PR24 ADAPTER RING
10	ORENCO 24" PVC RISER
11	ORENCO 24" FIBERGLASS LID
12	THREE (3) 4" DIAMETER PORTS THROUGH INTERIOR WALL

RENSELAER SEPTIC TANKS

1211 NORTH WESTON STREET
 P.O. BOX 70
 RENSELAER, INDIANA 47978
 phone: (219) 866-5063
 (800) 240-5123
 fax: (219) 866-3894

PROJECT NAME
 CLIENT NAME
 ADDRESS

PROJECT NO: _____
 FILE: 2000 GAL-DUAL-NT-ORENCO.DWG
 DRAWN BY: ASJM
 CHECKED BY: PEW

TITLE:
**MANUFACTURER'S
 DETAIL DRAWING**
 2000 GALLON (2) COMPARTMENT
 NO TRAFFIC

R-000

* ALL RENSELAER SEPTIC TANKS ARE MONOLITHICALLY Poured *

This drawing is the property of Rensselaer Septic Tanks. It is submitted for reference purposes only. © 2008 Rensselaer Septic Tanks